

# Compliance Document for New Zealand Building Code Clause G12 Water Supplies – Third Edition

Prepared by the Department of Building and Housing

This Compliance Document is prepared by the Department of Building and Housing. The Department of Building and Housing is a Government Department established under the State Sector Act 1988.

Enquiries about the content of this document should be directed to:



Department of Building and Housing  
PO Box 10-729, Wellington.  
Telephone 0800 242 243  
Fax 04 494 0290  
Email: [info@dbh.govt.nz](mailto:info@dbh.govt.nz)



Sales enquiries should be directed to:  
Customer Services,  
Victoria University Book Centre  
PO Box 12-337, Wellington, New Zealand  
Telephone 0800 370 370, (04) 463 5511  
Fax (04) 463 5510  
Email: [dbh@vicbooks.co.nz](mailto:dbh@vicbooks.co.nz)  
[www.vicbooks.co.nz](http://www.vicbooks.co.nz)  
ISBN 0-477-01606-5

**New Zealand Government**

© Department of Building and Housing 2006

This Compliance Document is protected by Crown copyright, unless indicated otherwise. The Department of Building and Housing administers the copyright in this document. You may use and reproduce this document for your personal use or for the purposes of your business provided you reproduce the document accurately and not in an inappropriate or misleading context. You may not distribute this document to others or reproduce it for sale or profit.

The Department of Building and Housing owns or has licences to use all images and trademarks in this document. You must not use or reproduce images and trademarks featured in this document for any purpose (except as part of an accurate reproduction of this document) unless you first obtain the written permission of the Department of Building and Housing.

## Status of Compliance Documents

Compliance Documents are prepared by the Department of Building and Housing in accordance with section 22 of the Building Act 2004. A Compliance Document is for use in establishing compliance with the New Zealand Building Code.

A person who complies with a Compliance Document will be treated as having complied with the provisions of the Building Code to which the Compliance Document relates. However, a Compliance Document is only one method of complying with the Building Code. There may be alternative ways to comply.

Users should make themselves familiar with the preface to the New Zealand Building Code Handbook, which describes the status of Compliance Documents and explains alternative methods of achieving compliance.

Defined words (italicised in the text) and classified uses are explained in Clause A1 of the Building Code and in the Definitions at the start of this Compliance Document.

<b>G12: Document History</b>				
	<b>Date</b>	<b>Alterations</b>		
First published	July 1992			
Amendment 1	September 1993	pp. vi–viii, References p. ix, Definitions p. 15, Table 4 p. 16, 4.5.1, 4.5.3	p. 19, 5.2.2 b) p. 22, Table 7 p. 26, Index	
Amendment 2	19 August 1994	pp. i and ii, Document History p. v, Contents p. viii, References p. 3, 2.2.1 e)	p. 6, 2.6, 2.6.1 p. 19, 4.13.1, 4.14, 4.14.1 p. 26, 29, Index	
Amendment 3	1 December 1995	p. ii, Document History pp. vi–viii, References	p. 5, Table 1 p. 6, 2.5.2	
Second edition published July 2001	Effective from 1 October 2001	Document revised – Second edition issued		
Amendment 4	6 January 2002	pp. 3–5 Code Clause G12		
Amendment 5	25 February 2004	p. 2, Document History p.7, Contents pp. 9–11 References	pp. 23-38, 3.7.1, 3.7.4, 4.1, 6.2.1, 6.3.2–6.15, Figure 13 pp. 43-45 Index	
Amendment 6	23 June 2007	p. 2, Document History, Status pp. 9 and 11, References	p. 13, Definitions p. 15, VM1 1.0.1	
Third edition published October 2007	Effective from 1 December 2007	Document revised – Third edition issued	G12/AS1 amended: p. 27, Table 5 p. 32, 6.5.1 p. 35, 6.9, 6.10 p. 36, 6.11.5	p. 37, 6.14.3 p. 38, 6.15 (deleted) p. 40, 7.5.2 New Acceptable Solution G12/AS2 included
<b>Note: Page numbers relate to the document at the time of Amendment and may not match page numbers in current document.</b>				

### Document Status

The most recent version of this document, as detailed in the Document History, is approved by the Chief Executive of the Department of Building and Housing. It is effective from 1 December 2007 and supersedes all previous versions of this document.

People using this Compliance Document should check for amendments on a regular basis. The Department of Building and Housing may amend any part of any Compliance Document at any time. Up-to-date versions of Compliance Documents are available from [www.dbh.govt.nz](http://www.dbh.govt.nz)

# New Zealand Building Code

## Clause G12 Water Supplies

The mandatory provisions for building work are contained in the New Zealand Building Code (NZBC), which comprises the First Schedule to the Building Regulations 1992. The relevant NZBC Clause for Water Supplies is G12.

Schedule	Building Amendment Regulations 2001
<p><b>Schedule</b></p> <p><b>New clause G12 substituted in First Schedule of principal regulations</b></p>	
<p><b>Clause G12–Water Supplies</b></p>	
<p><b>Provisions</b></p> <p><b>Objective</b></p> <p><b>G12.1</b> The objective of this provision is to–</p> <ul style="list-style-type: none"> <li>(a) safeguard people from illness caused by contaminated water:</li> <li>(b) safeguard people from injury caused by hot water system explosion, or from contact with excessively hot water:</li> <li>(c) safeguard people from loss of <i>amenity</i> arising from–               <ul style="list-style-type: none"> <li>(i) a lack of hot water for personal hygiene; or</li> <li>(ii) water for human consumption, which is offensive in appearance, odour or taste:</li> </ul> </li> <li>(d) ensure that <i>people with disabilities</i> are able to carry out normal activities and functions within <i>buildings</i>.</li> </ul> <p><b>Functional requirement</b></p> <p><b>G12.2</b> <i>Buildings</i> provided with water outlets, <i>sanitary fixtures</i> or <i>sanitary appliances</i> must have safe and <i>adequate</i> water supplies.</p> <p><b>Performance</b></p> <p><b>G12.3.1</b> Water intended for human consumption, food preparation, utensil washing or oral hygiene must be potable</p> <p><b>G12.3.2</b> A potable <i>water supply system</i> shall be–</p> <ul style="list-style-type: none"> <li>(a) protected from contamination; and</li> <li>(b) installed in a manner which avoids the likelihood of contamination within the system and the <i>water main</i>; and</li> <li>(c) installed using components that will not contaminate the water.</li> </ul> <p><b>G12.3.3</b> A non-potable <i>water supply system</i> used for personal hygiene shall be installed in a manner that avoids the likelihood of illness or injury being caused by the system.</p> <p><b>G12.3.4</b> Water pipes and outlets provided with non-potable water shall be clearly identified.</p>	<p><b>Limits on application</b></p> <p>Objective G12.1(d) shall apply only to those <i>buildings</i> to which section 47A of the Act applies.</p>

<b>Building Amendment Regulations 2001</b>	<b>Schedule</b>
<p><b>Provisions</b></p> <p><b>Performance</b>—continued</p> <p><b>G12.3.5</b> <i>Sanitary fixtures and sanitary appliances</i> must be provided with hot water when intended to be used for—</p> <ul style="list-style-type: none"> <li>(a) utensil washing; and</li> <li>(b) personal washing, showering or bathing.</li> </ul> <p><b>G12.3.6</b> Where hot water is provided to <i>sanitary fixtures and sanitary appliances</i>, used for personal hygiene, it must be delivered at a temperature that avoids the likelihood of scalding.</p> <p><b>G12.3.7</b> <i>Water supply systems</i> must be installed in a manner that—</p> <ul style="list-style-type: none"> <li>(a) pipes water to <i>sanitary fixtures and sanitary appliances</i> flow rates that are <i>adequate</i> for the correct functioning of those <i>fixtures and appliances</i> under normal conditions; and</li> <li>(b) avoids the likelihood of leakage; and</li> <li>(c) allows reasonable access to components likely to need maintenance; and</li> <li>(d) allows the system and any backflow prevention devices to be isolated for testing and maintenance.</li> </ul> <p><b>G12.3.8</b> Vessels used for producing or storing hot water must be provided with safety devices that—</p> <ul style="list-style-type: none"> <li>(a) relieve excessive pressure during both normal and abnormal conditions; and</li> <li>(b) limit temperatures to avoid the likelihood of flash steam production in the event of rupture.</li> </ul> <p><b>G12.3.9</b> A <i>hot water system</i> must be capable of being controlled to prevent the growth of legionella bacteria.</p> <p><b>G12.3.10</b> Water supply taps must be <i>accessible</i> and usable for <i>people with disabilities</i>.</p>	<p><b>Limits on application</b></p> <p>Performance G12.3.5(b) shall apply only to <i>housing</i>, retirement homes and early childhood centres.</p> <p>Performance G12.3.10 applies only to those <i>buildings</i> to which section 47A of the Act applies.</p>
<p>Clerk of the Executive Council.</p> <hr style="width: 20%; margin: 0 auto;"/>	

# Contents

	<b>Page</b>		
<b>References</b>	<b>7</b>	6.8	Vent pipes 34
<b>Definitions</b>	<b>11</b>	6.9	Alternative acceptable solutions for the installation of open vented storage water heaters 35
<b>Verification Method G12/VM1</b>	<b>15</b>	6.10	Alternative acceptable solutions for the installation of unvented (valve vented) storage water heaters 35
<b>1.0 Water Supply System</b>	<b>15</b>	6.11	Water heater installation 35
<b>Acceptable Solution G12/AS1</b>	<b>17</b>	6.12	Hot water pipe sizes 36
<b>1.0 Scope</b>	<b>17</b>	6.13	Wet-back water heaters 36
<b>2.0 Materials</b>	<b>17</b>	6.14	Safe water temperatures 37
2.1 Water quality	17	6.15	Solar water heaters 38
2.2 Pipe materials	17	<b>7.0 Installation Methods</b>	<b>38</b>
<b>3.0 Protection of Potable Water</b>	<b>18</b>	7.1	Pipe supports 38
3.1 Drawn water not to be returned	18	7.2	Protection from freezing 38
3.2 Cross connections prohibited	18	7.3	Protection from damage 39
3.3 Cross connection hazard	18	7.4	Installation of uPVC pipes 39
3.4 Backflow protection	19	7.5	Watertightness 40
3.5 Air gap	20	<b>8.0 Usable Facilities for People with Disabilities</b>	<b>40</b>
3.6 Backflow prevention devices	20	<b>9.0 Equipotential Bonding</b>	<b>40</b>
3.7 Testing	23	9.1	General 40
<b>4.0 Non-potable Supply</b>	<b>23</b>	9.2	Installation of equipotential bonding conductors 41
4.1 Protection of non-potable water supplies	23	9.3	Earth bonding conductors 41
4.2 Outlet identification	23	<b>Acceptable Solution G12/AS2</b>	<b>43</b>
4.3 Pipeline identification	23	<b>1.0 Scope</b>	<b>43</b>
<b>5.0 Water Supply</b>	<b>24</b>	1.1	Structural support limitations 43
5.1 Water tanks	24	1.2	Exclusions 44
5.2 Water tank installation	24	<b>2.0 Materials</b>	<b>44</b>
5.3 Water pipe size	24	2.1	Material selection 44
5.4 Maintenance facilities	26	<b>3.0 Solar Water Heater Requirements</b>	<b>48</b>
<b>6.0 Hot Water Supply System</b>	<b>27</b>	3.1	Solar water heaters and components 48
6.1 Water heaters	27	3.2	Solar controller 48
6.2 Water supply to storage water heaters	27	3.3	Sizing of systems 48
6.3 Operating devices	28	3.4	Operating and safety devices 48
6.4 Safety devices	32	3.5	Protection from Legionella bacteria 48
6.5 Temperature control devices	32	3.6	Protection from frosts 49
6.6 Relief valves	32		
6.7 Relief valve drains	33		

	<b>Page</b>
<b>4.0 Location of Solar Water Heaters</b>	<b>50</b>
4.1 Location	50
4.2 Solar orientation and inclination	50
<b>5.0 Installation of Solar Water Heaters</b>	<b>51</b>
5.1 Wetback water heaters	51
5.2 Weathertightness	52
5.3 Pipe installation	55
5.4 Pipe insulation	55
<b>6.0 Structural Support for Solar Water Heaters</b>	<b>56</b>
6.1 Scope	56
6.2 General requirements	56
6.3 Direct fixed solar collectors parallel to the roof	56
6.4 Elevated solar collectors parallel to the roof	59
6.5 Collector support rails	61
6.6 Mounting collectors at a different pitch to the roof cladding	62
<b>7.0 Maintenance and Durability</b>	<b>64</b>
7.1 Maintenance	64
7.2 Durability	64
<b>Index</b>	<b>65</b>

# References

For the purposes of New Zealand Building Code compliance, the acceptable New Zealand and other Standards, and other documents referred to in this Compliance Document (primary reference documents) shall be the editions, along with their specific amendments, listed below. Where the primary reference documents refer to other Standards or other documents (secondary reference documents), which in turn may also refer to other Standards or other documents, and so on (lower order reference documents), then the applicable version of these secondary and lower order reference documents shall be the version in effect at the date this Compliance Document was published.

<b>Standards New Zealand</b>		<b>Where quoted</b>
NZS 1170: Part 5: 2004	Structural Design Actions Earthquake design actions – New Zealand Standard	AS2 1.1.1
NZS/BS 1387: 1985	Specification for screwed and socketed steel tubes and tubulars and for plain end steel tubes suitable for welding or screwing to BS 21 pipe threads	AS1 Table 1
NZS 3501: 1976	Specification for copper tubes for water, gas, and sanitation <i>Amends: 1, 2, 3</i>	AS1 Table 1
NZS 3604: 1990	Timber framed buildings	AS2 1.1.1
NZS 3604: 1999	Timber framed buildings	AS2 1.1.1
NZS 4203:1992	Code of Practice for general structural design and design loadings for buildings	AS2 1.1.1
NZS 4602: 1988	Low pressure copper thermal storage electric water heaters <i>Amend: 1</i>	AS1 Table 5
NZS 4603: 1985	Installation of low pressure thermal storage electric water heaters with copper cylinders (open-vented systems) <i>Amend: 1</i>	AS1 6.9.1, 6.11.5
NZS 4606: Part 1: 1989	Storage water heaters General requirements <i>Amends: 1, 2, 3</i>	AS1 Table 5
Part 2: 1989	Specific requirements for water heaters with single shells <i>Amend: A</i>	AS1 Table 5
Part 3: 1992	Specific requirements for water heaters with composite shells <i>Amend: A</i>	AS1 Table 5
NZS 4607: 1989	Installation of thermal storage electric water heaters: valve-vented systems	AS1 6.10.1
NZS 4608: 1992	Control valves for hot water systems	AS1 Table 6
NZS 4613: 1986	Domestic solar water heaters	AS2 3.1.1, 7.2.3
NZS 4614: 1986	Installation of domestic solar hot water heating systems	AS2 4.2.2

		Where quoted
NZS 4617: 1989	Tempering (3-port mixing) valves	AS1 6.14.2 b)
NZS 5807: 1980	Code of practice for industrial identification by colour, wording or other coding	
Part 2: 1980	Identification of contents of piping, conduit and ducts <i>Amends: 1, 2</i>	AS1 4.3.1
NZS 6214: 1988	Thermostats and thermal cutouts for domestic thermal storage electric water heaters (alternating current only)	AS1 6.5.1
NZS 6335: 1993	Safety of household and similar electrical appliances. Particular requirements for instantaneous water heaters <i>Amends: 1, 2</i>	AS1 Table 5
NZS 6401: 1973	Specification for PVC-insulated cables for electric power and lighting	AS1 9.3.2
NZS/BS 6920:	Suitability of non-metallic products for use in contact with water intended for human consumption with regard to their effect on the quality of the water	
Part 1: 1990	Specification	AS1 2.1.2
Part 2: 1990	Methods of tests	AS1 2.1.2
Part 3: 1990	High temperature tests	AS1 2.1.2
NZS 7601: 1978	Specification for polyethylene pipe (Type 3) for cold water services	AS1 Table 1
NZS 7602: 1977	Specification for polyethylene pipe (Type 5) for cold water services <i>Amend: 1</i>	AS1 Table 1
NZS 7610: 1991	Specification for blue polyethylene pipes up to nominal size 63 for below ground use for potable water <i>Amends: 1, 2, 3</i>	AS1 Table 1
NZS 7643: 1979	Code of practice for the installation of unplasticized PVC pipe systems <i>Amend: 1</i>	AS1 7.4.1, 7.5.2
<b>British Standards Institution</b>		
BS 6283:	Safety devices for use with hot water systems	
Part 1: 1991	Specification for expansion valves for pressures up to and including 10 bar	AS1 Table 6
Part 3: 1991	Specification for combined temperature and pressure relief valves for pressures up to and including 10 bar	AS1 Table 6
Part 4: 1991	Specification for drop-tight pressure reducing valves of nominal size up to and including DN 54 for supply for pressures up to and including 12 bar	AS1 Table 6



**Standards Australia**

		<b>Where quoted</b>
AS 1308: 1987	Electric water heaters – Thermostats and thermal cut-outs <i>Amend: 1</i>	AS1 6.5.1
AS 1357:	Water valves for use with unvented water heaters	
Part 1: 1992	Protection valves <i>Amend: 1</i>	AS1 Table 6
Part 2: 1998	Control valves	AS1 6.14.2 b), Table 6
AS 1460:	Fittings for use with polyethylene pipes	
Part 1: 1989	Mechanical jointing fittings	AS1 Table 1
Part 2: 1989	Electrofusion fittings	AS1 Table 1
AS 2845:	Water supply – Mechanical backflow prevention devices	
Part 3: 1993	Field testing and maintenance	AS1 3.6.1 b), 3.7.2 a) b) c)
AS 3147: 1992	Approval and test specification – Electrical cables – Thermoplastic insulated for working voltages up to and including 0.6/1 kV <i>Amends: 1, 2, 3</i>	AS1 9.3.2
AS 4020: 2005	Testing of products for use in contact with drinking water	AS1 2.1.2

**Australia/New Zealand Standards**

AS/NZS 1170:	Structural Design Actions	
Part 0: 2002	General principles <i>Amendments 1, 2 and 4</i>	AS2 1.1.1
Part 1: 2002	Permanent, imposed and other actions <i>Amendment 1</i>	AS2 1.1.1
Part 2: 2002	Wind Actions <i>Amendment 1</i>	AS2 1.1.1
Part 3: 2003	Snow and ice actions <i>Amendment 1</i>	AS2 1.1.1
AS/NZS 1477: 1999	PVC pipes and fittings for pressure applications	AS1 Table 1
AS/NZS 2642:	Polybutylene pipe systems	
Part 1: 1994	Polybutylene (PB) pipe extrusion compounds	AS1 Table 1
Part 2: 1994	Polybutylene (PB) pipe for hot and cold water applications	AS1 Table 1
Part 3: 1994	Mechanical jointing fittings for use with polybutylene (PB) pipes for hot and cold water applications <i>Amend: 1</i>	AS1 Table 1

	<b>Where quoted</b>
AS/NZS 2712: 2002 Solar and heat pump water heaters – design and (until 1 July 2009) construction	AS2 3.1.1, 3.6.2
AS/NZS 2712: 2007 Solar and heat pump water heaters – design and construction	AS2 3.1.1, 3.6.1
AS/NZS 2845: Water supply Part 1: 1998 Materials, design and performance requirements	AS1 3.6.2
AS/NZS 3500: Plumbing and drainage Part 1: 2003 Water services <i>Amend: 1</i>	VM1 1.0.1 a), AS1 3.5.2
Part 4: 2003 Heated water services <i>Amend: 1</i>	VM1 1.0.1 b) AS1 6.15.1, AS2 1.1.1, 4.2.2, 5.0.1
AS/NZS 4130: 1997 Polyethylene (PE) pipes for pressure applications	AS1 Table 1
AS/NZS 4692: Electric water heaters Part 2: 2005 Minimum Energy Performance Standards (MEPS) requirements and energy labelling	AS2 3.1.2
<b>New Zealand Regulations</b>	
Gas Regulations 1993	AS1 Table 5

# Definitions

This is an abbreviated list of definitions for words or terms particularly relevant to this Compliance Document. The definitions for any other italicised words may be found in the New Zealand Building Code Handbook.

**Adequate** *Adequate* to achieve the objectives of the *Building Code*.

**Air gap** The vertical distance through air between the lowest point of the water supply outlet and the *flood level rim* of the equipment or the *fixture* into which the outlet discharges.

**Amenity** means an attribute of a *building* which contributes to the health, physical independence, and well being of the *building's* users but which is not associated with disease or a specific illness.

**Backflow** The unplanned reversal of flow of water or mixtures of water and *contaminants* into the *water supply system*. See *back-siphonage* and *back-pressure*.

**Backflow prevention device** A device that prevents *backflow*.

**Back-pressure** A *backflow* condition caused by the downstream pressure becoming greater than the supply pressure.

**Back-siphonage** A *backflow* condition caused by the supply pressure becoming less than the downstream pressure.

**Building** has the meaning ascribed to it by sections 8 and 9 of the Building Act 2004.

**Check valve** A valve that permits flow in one direction but prevents a return flow and is part of a *backflow prevention device*.

**Cladding** The exterior weather-resistant surface of a *building*.

#### COMMENT:

Includes any supporting substrate and, if applicable, surface treatment.

**Contaminant** includes any substance (including gases, liquids, solids, and micro-organisms) or energy (excluding noise) or heat, that either by itself or in combination with the same, similar, or other substances, energy, or heat

- a) When discharged into water, changes or is likely to change the physical, chemical, or biological condition of water, or
- b) When discharged onto or into land or into air, changes or is likely to change the physical, chemical, or biological condition of the land or air onto or into which it is discharged.

This is the meaning ascribed to it by the Resource Management Act 1991.

**Cross connection** Any actual or potential connection between a *potable water* supply and a source of contamination.

**Diameter (or bore)** The nominal internal *diameter*.

**EPDM** (Ethylene Propylene Diene Monomer) A thermosetting synthetic rubber used as a resilient part of a sealing washer, or as a roof *membrane*.

**Fixture** An article intended to remain permanently attached to and form part of a *building*.

**Flashing** A component, formed from a rigid or flexible *waterproof* material, that drains or deflects water back outside the *cladding system*.

**Flood level rim** The top edge at which water can overflow from equipment or a *fixture*.

**Framing** Timber members to which *lining*, *cladding*, flooring, or decking is attached; or which are depended upon for supporting the structure, or for resisting forces applied to it

**Free outlet (push through)** In the context of *storage water heaters* means a *water heater* with a tap on the cold water inlet so designed that the hot water is discharged through an open outlet.

**Household unit**

- a) means any *building* or group of *buildings*, or part of a *building* or group of *buildings*, that is:
  - i) used, or intended to be used, only or mainly for residential purposes; and
  - ii) occupied, or intended to be occupied, exclusively as the home or residence of not more than one household; but
- b) does not include a hostel, boarding house or other specialised accommodation.

**Masonry tiles** Clay or concrete tile roof *cladding*.

**Membrane** A non-metallic material, usually synthetic, used as a fully supported roof *cladding*, *deck* surface or, in conjunction with other *claddings*, as gutters or *flashings*.

**Network utility operator** means a person who—

- a) undertakes or proposes to undertake the distribution or transmission by pipeline of natural or manufactured gas, petroleum, or geothermal energy; or
- b) operates or proposes to operate a network for the purpose of—
  - i) telecommunication as defined in section 5 of the Telecommunications Act 2001; or
  - ii) radiocommunications as defined in section 2(1) of the Radiocommunications Act 1989; or
- c) is an electricity operator or electricity distributor as defined in section 2 of the Electricity Act 1992 for the purpose of line function services as defined in that section; or
- d) undertakes or proposes to undertake the distribution of water for supply (including irrigation); or
- e) undertakes or proposes to undertake a drainage or sewerage system.

**Non-return valve** A valve that permits flow in one direction but prevents a return flow and is part of a hot or cold water system.

**Open vented storage water heater** A *water heater* incorporating a *vent pipe* which is permanently open to the atmosphere.

**Potable (and potable water)** Water that is suitable for human consumption.

**Purlin** A horizontal member laid to span across *rafters* or trusses, and to which the roof *cladding* is attached.

**Rafter** A *framing* timber, normally parallel to the slope of the roof, providing support for sarking, *purlins* or roof *cladding*.

**Sanitary appliance** An appliance which is intended to be used for *sanitation*, but which is not a *sanitary fixture*. Included are machines for washing dishes and clothes.

**Sanitary fixture** Any *fixture* which is intended to be used for *sanitation*.

**Sanitation** The term used to describe the activities of washing and/or excretion carried out in a manner or condition such that the effect on health is minimised, with regard to dirt and infection.

**Specific design** Design and detailing of a proposed *building* or parts of a *building*, demonstrating compliance with the building code, that shall be provided to the building consent authority for assessment and approval as part of the *building consent* process. *Buildings*, or parts of *buildings*, requiring *specific design* are beyond the scope of this Acceptable Solution.

**Storage water heater** A *water tank* with an integral *water heater* for the storage of hot water.

**Toxic environment** An environment that contains *contaminants* that can contaminate the water supply in concentrations greater than those included in the New Zealand Drinking Water Standard 1995.

**Valve vented storage water heater** (Also known as an unvented *storage water heater*.) A *storage water heater* in which the required venting to the atmosphere is controlled by a valve.

**Vent pipe** A pipe which is open to the atmosphere at one end and acts as a pressure limiting device.

**Water heater** A device for heating water.

**Water main** A water supply pipe vested in, or is under the control, or maintained by, a *network utility operator*.

**Water supply system** Pipes, fittings and tanks used or intended to be used for the storage and reticulation of water from a *water main* or other water source, to *sanitary fixtures*, *sanitary appliances* and fittings within a *building*.

**Water tank (vessel)** A covered fixed container for storing hot or cold water.

**Weathertightness** and **weathertight** Terms used to describe the resistance of a *building* to the weather.

*Weathertightness* is a state where water is prevented from entering and accumulating behind the *cladding* in amounts that can cause undue dampness or damage to the *building elements*.

**COMMENT:**

The term *weathertightness* is not necessarily the same as *waterproof*.

However, a *weathertight building*, even under severe weather conditions, is expected to limit moisture ingress to inconsequential amounts, insufficient to cause undue dampness inside *buildings* and damage to *building elements*. Moisture that may occasionally enter is able to harmlessly escape or evaporate.

**Wind zone** Categorisation of wind force experienced on a particular site as determined in NZS 3604, Section 5.

**COMMENT:**

Maximum ultimate limit state speeds are:

Low <i>wind zone</i>	=	wind speed of 32 m/s
Medium <i>wind zone</i>	=	wind speed of 37 m/s
High <i>wind zone</i>	=	wind speed of 44 m/s
Very high <i>wind zone</i>	=	wind speed of 50 m/s.

*Specific design* is required for wind speeds greater than 50 m/s.



# Verification Method G12/VM1

## 1.0 Water Supply System

---

**1.0.1** A design method for *water supply systems* may be verified as satisfying the Performances of NZBC G12 if it complies with:

Amend 6  
Jun 2007

a) AS/NZS 3500.1 Section 2, Section 3 and Appendix C (note that Appendix C is part of this Verification Method even though it is included in the standard as an “Informative” Appendix), and

Amend 6  
Jun 2007

b) AS/NZS 3500.4.





# Acceptable Solution G12/AS1

## 1.0 Scope

**1.0.1** This acceptable solution applies to below ground and above ground piped *water supply systems*.

## 2.0 Materials

### 2.1 Water quality

**2.1.1** Components of the *water supply system* shall not contaminate *potable water*.

**2.1.2** Non-metallic components complying with NZS/BS 6920 or AS 4020 materials complying with Table 1 shall be acceptable.

### 2.2 Pipe materials

**2.2.1** Pipe materials shall comply with Table 1.

**2.2.2** All pipes and pipe fittings used for the piping of water shall be:

- a) Suitable for the temperatures and pressures within that system,
- b) Compatible with the water supply and environmental conditions in the particular location, and
- c) Where installed in an exposed situation, resistant to UV light.

**Note:** Where fire hose reels are served by the above ground cold *water supply system* the pipe system shall comply with NZS 4503 as referenced in C/AS1 Table 4.1.

Table 1: Pipe Materials for Hot and Cold Water Paragraphs 2.1.2, 2.2.1 and 6.7.2	
Material	Relevant Standard
<b>Hot and Cold</b>	
Copper	NZS 3501
Galvanised steel	NZS/BS 1387
Polybutylene	AS/NZS 2642: Parts 1, 2 and 3
<b>Cold Only</b>	
uPVC	AS/NZS 1477
Polyethylene	NZS 7601 for pressures up to 0.9 MPa (Type 3) NZS 7602 for pressures up to 1.2 MPa (Type 5) NZS 7610 for pressures up to 1.2 MPa AS 1460: Part 1 Mechanical jointing fittings Part 2 Electrofusion fittings AS/NZS 4130 for pressures up to 1.5 Mpa

### 3.0 Protection of Potable Water

#### 3.1 Drawn water not to be returned

**3.1.1** Water drawn from the *water main* shall be prevented from returning to that system by avoiding *cross connections* or *backflow*.

#### 3.2 Cross connections prohibited

**3.2.1** The *water supply system* shall be installed so that there is no likelihood of *cross connection* between:

- a) A *potable water supply system* and a non-*potable water supply system*,
- b) A *potable water supply system* connected to a *water main*, and any water from another source including a private water supply,
- c) A *potable water supply system* and any bathing facilities including swimming, spa or paddling pools, and
- d) A *potable water supply system* and pipes, *fixtures* or equipment (including boilers and pumps) containing chemicals, liquids, gases or other non-*potable* substances.

#### 3.3 Cross Connection Hazard

##### 3.3.1 High hazard

Any condition, device or practice which, in connection with the *potable water supply system*, has the potential to cause death.

##### COMMENT:

High hazard may include but not necessarily be limited to:

- a) Autoclaves and sterilisers
- b) Systems containing chemicals such as anti-freeze, anti-corrosion, biocides, or fungicides
- c) Beauty salon and hairdresser's sinks
- d) Boiler, chiller and cooling tower make-up water
- e) Car and factory washing facilities
- f) Chemical dispensers
- g) Chemical injectors
- h) Chlorinators
- i) Dental equipment
- j) Direct heat exchangers
- k) Fire sprinkler systems and fire hydrant systems that use toxic or hazardous water

- l) Hose taps associated with High hazard situations like mixing of pesticides
- m) Irrigation systems with chemicals
- n) Laboratories
- o) Mortuaries
- p) Pest control equipment
- q) Photography and X-ray machines
- r) Piers and docks
- s) Sewage pumps and sump ejectors
- t) Sluice sinks and bed pan washers
- u) Livestock water supply with added chemicals
- v) Veterinary equipment

**Note:** The examples given are not an exhaustive list. Where there is doubt comparison must be made to the hazard definitions.

##### 3.3.2 Medium hazard

Any condition, device or practice which, in connection with the *potable water supply system*, has the potential to injure or endanger health.

##### COMMENT:

Medium hazard may include but not necessarily be limited to:

- a) Appliances, vehicles or equipment
- b) Auxiliary water supplies such as pumped and non-pumped fire sprinkler secondary water
- c) Deionised water, reverse osmosis units and equipment cooling without chemicals
- d) Fire sprinkler systems and *building* hydrant systems
- e) Hose taps and fire hose reels associated with Medium hazard
- f) Irrigation systems with underground controllers
- g) Irrigation without chemicals
- h) Livestock water supply without added chemicals
- i) Untreated water storage tanks
- j) Water and steam cleaning
- k) Water for equipment cooling
- l) Drink dispensers with carbonators
- m) Swimming pools, spas and fountains

**Note:** The examples given are not an exhaustive list. Where there is doubt comparison must be made to the hazard definitions.

**3.3.3 Low hazard**

Any condition, device or practice which, in connection with the *potable water supply system*, would constitute a nuisance, by colour, odour or taste, but not injure or endanger health.

**COMMENT:**

Low hazard may include but not necessarily be limited to:

- a) Drink dispensers (except carbonators).

**Note:** The example given is not an exhaustive list. Where there is doubt comparison must be made to the hazard definitions.

**3.4 Backflow protection**

**3.4.1** Backflow protection shall be provided where it is possible for water or *contaminants* to *backflow* into the *potable water supply system*.

**COMMENT:**

The protection of non-*potable water* used for personal hygiene is contained in Paragraph 4.1.

**3.4.2** Backflow protection shall be determined by identifying the individual *cross connection* hazard(s) and *backflow* protection required. Water from each hazard shall be regarded as non-*potable* until an appropriate *backflow* protection is installed.

**3.4.3** Backflow protection shall be achieved by:

- a) An *air gap*, in accordance with Paragraph 3.5, or
- b) A *backflow prevention device* selected in accordance with Paragraphs 3.4.4 and 3.4.5.

**3.4.4** Backflow protection shall be appropriate to the *cross connection* hazard contained in Paragraph 3.3.

**3.4.5** The selection of the appropriate *backflow* protection for the *cross connection* hazard is given in Table 2.

**COMMENT:**

Table 2 includes *air gap* separation.

Type of backflow protection	CROSS CONNECTION HAZARD					
	HIGH		MEDIUM		LOW	
	back-pressure	back-siphonage	back-pressure	back-siphonage	back-pressure	back-siphonage
<i>Air gap</i> (see <b>Note 1</b> )	✓	✓	✓	✓	✓	✓
Reduced pressure zone device	✓	✓	✓	✓	✓	✓
Double <i>check valve</i> assembly (see <b>Note 2</b> )			✓	✓	✓	✓
Pressure type vacuum breaker (see <b>Note 3</b> )		✓		✓		✓
Atmospheric vacuum breaker (see <b>Note 4</b> )		✓		✓		✓

**Note:**

1. *Air gaps* must not be installed in a *toxic environment*.
2. Double *check valves* can be installed in a medium and low hazard *toxic environment*.
3. Pressure type vacuum breakers are designed to vent at 7 kPa or less. However, they require a significantly higher pressure to reseal and must be installed only in systems which provide pressures sufficient to ensure full closing of the valve.
4. Hose outlet vacuum breakers are a specific type of atmospheric vacuum breaker.

**3.4.6** All *backflow prevention devices* must be testable in service to verify effective performance.

**3.5 Air gap**

**3.5.1** An *air gap* shall be an unobstructed distance between the lowest opening of a water supply outlet and the highest level of the overflow water. The *air gap* separation shall be the greater of 25 mm or twice the supply pipe *diameter*, as shown in Figure 1.

**3.5.2** To ensure the *air gap* distance is maintained the overflow pipe discharge flow rate shall be no less than the inlet pipe flow rate.

**COMMENT:**  
AS/NZS 3500.1.2 Appendix F may be used to calculate the size of the overflow.

**3.5.3** *Air gaps* shall not be used in a *toxic environment* to prevent contaminated air entering the water and piping system through the *air gap*.

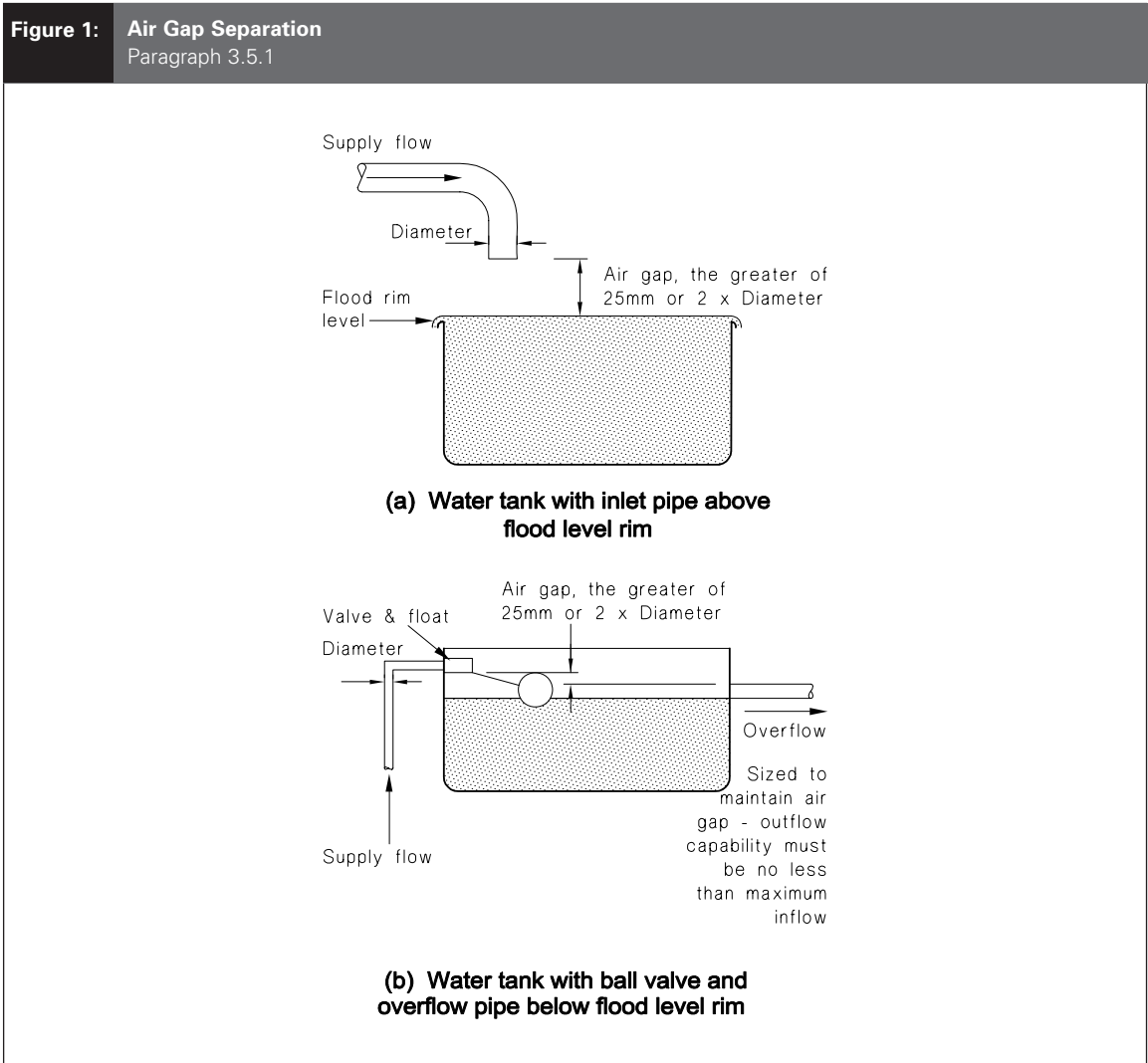
**3.5.4** Where any *fixture* or tank has more than one supply pipe, the *air gap* separation shall be the greater of 25 mm or twice the sum of the inlet pipe *diameters* and shall also comply with Paragraph 3.5.2.

**3.6 Backflow prevention devices**

**3.6.1 Location**

*Backflow prevention devices* and *air gaps* shall be located:

- a) As near as practicable to the potential source of contamination, and



- b) In an accessible position for maintenance and testing to AS/NZS 2845.3.

### 3.6.2 Manufacture

*Backflow prevention devices* shall be manufactured as follows:

- a) Reduced pressure zone devices to AS/NZS 2845.1 Section 11 (see Figure 2 (a)),
- b) Double *check valve* devices to AS/NZS 2845.1 Section 10 (see Figure 2 (b)),
- c) Pressure type vacuum breakers to AS/NZS 2845.1 Section 9, (see Figure 2 (c)), and
- d) Atmospheric vacuum breakers to AS/NZS 2845.1 Section 4 for atmospheric vacuum breakers (see Figure 2 (d)), and Section 5 for hose tap vacuum breakers.

### 3.6.3 General installation requirements

*Backflow prevention devices* shall be:

- a) Fitted with a line strainer upstream to prevent particles and corrosion products from the pipework rendering the device ineffective,
- b) A by-pass may only be fitted where the by-pass contains another *backflow prevention device* appropriate to the same hazard rating,
- c) Protected from the effects of corrosive or *toxic environments*, and
- d) Protected from damage.

#### COMMENT:

1. The device should be attached only after the pipework has been flushed.
2. Corrosive environments may cause the malfunction of the device. Polluted air from a *toxic environment* may enter the piping system through the *air gap* or open port vent thus negating the effective *air gap* separation.
3. The device should be protected from physical and frost damage and installed without the application of heat.

### 3.6.4 Specific installation requirements

*Backflow prevention devices* shall be installed as follows:

- a) Reduced pressure zone devices. These devices shall:

- i) have free ventilation to the atmosphere for the relief valve outlet at all times,
- ii) be located in an area that is not subject to ponding,
- iii) have the relief drain outlet located not less than 300 mm above the surrounding surface, and
- iv) be installed horizontally with the relief valve discharge facing vertically down, unless different orientations are specifically recommended by the device manufacturer.

- b) Double *check valve* devices. There are no additional requirements to those in Paragraph 3.6.3.

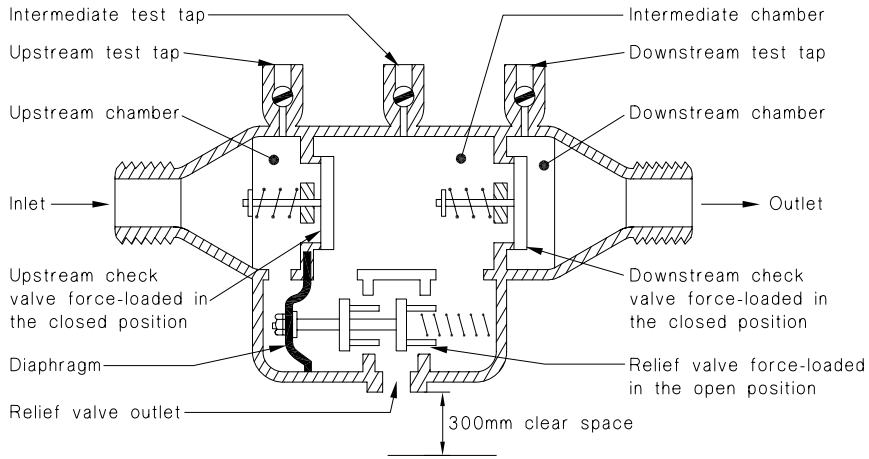
- c) Pressure type vacuum breakers. These devices shall:

- i) be located not less than 300 mm above the highest outlet, measured from the highest outlet to the lowest part of the valve body,
- ii) be installed vertically with the air ports at the top, and
- iii) have free ventilation to the air ports at all times.

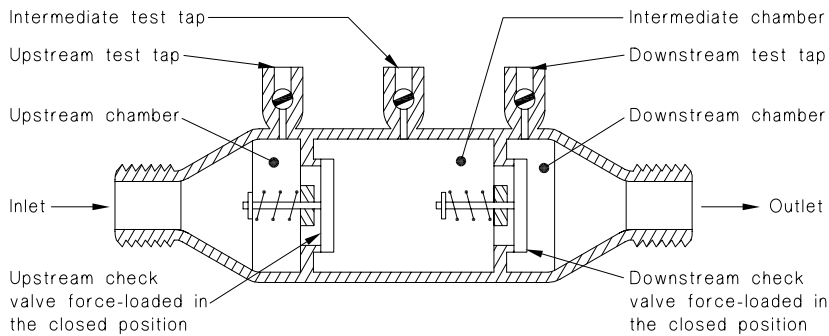
- d) Atmospheric vacuum breakers. These devices shall:

- i) be located not less than 150 mm above the highest outlet, measured from the highest outlet to the lowest part of the valve body,
- ii) have no valves located downstream of the vacuum breaker,
- iii) under normal operation, not remain continuously pressurised for more than 12 hours,
- iv) be installed vertically with the air ports at the top, and
- v) Have free ventilation to the air ports at all times.

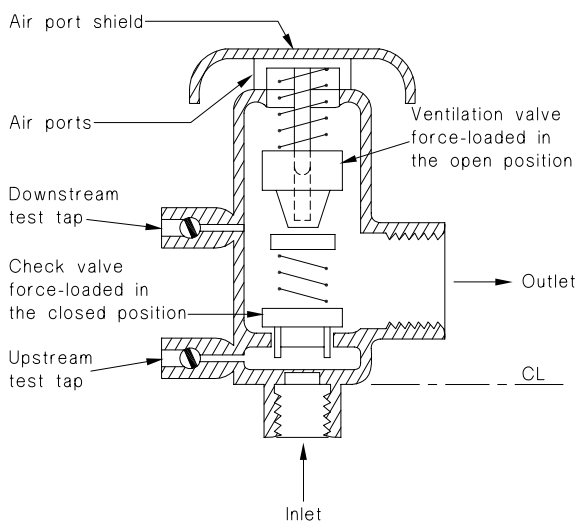
**Figure 2: Backflow Prevention Devices**  
Paragraph 3.6.2



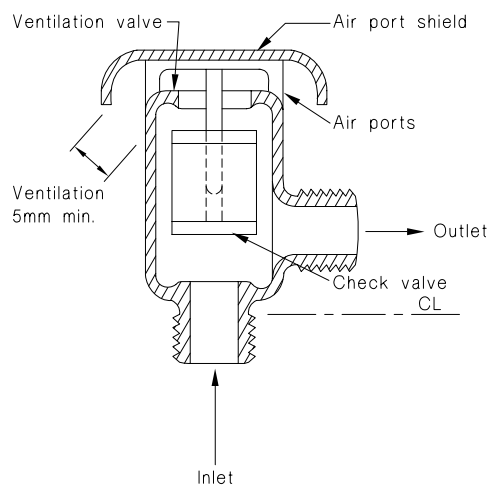
**(a) Schematic diagram of a reduced pressure zone device**



**(b) Schematic diagram of a double check valve**



**(c) Schematic diagram of a pressure type vacuum breaker**



**(d) Schematic diagram of an atmospheric vacuum breaker**

### 3.7 Testing

**3.7.1** Backflow protection installations shall have the following provisions to enable routine testing of their operational effectiveness:

- a) Resilient seated isolating valves shall be located immediately upstream and downstream of a reduced pressure zone device, double check valve assembly, or a pressure vacuum breaker,
- b) A resilient seated isolating valve shall be located immediately upstream of an atmospheric vacuum breaker, and

**COMMENT:**

Full ported valves will provide the best flow characteristics.

- c) Reduced pressure zone devices, double check valve assemblies and pressure vacuum breakers shall have sufficient test points to enable testing of each check valve and relief valve.

**COMMENT:**

Atmospheric vacuum breakers do not require test points.

Amend 5  
Feb 2004

**3.7.2** Reduced pressure zone devices, double check valves and pressure vacuum breakers shall be tested and verified as meeting the test requirements of AS 2845.3.

Amend 5  
Feb 2004

**3.7.3** Atmospheric vacuum breaker devices shall comply with the following test:

- a) Operate the device by turning on the fixture or equipment and observe the operation. The poppet or float must close on increase in pressure, and
- b) Operate the device by turning off the fixture or equipment and observe the operation. The poppet or float must open on decrease in pressure.

**3.7.4** Backflow prevention devices shall be tested after installation or repair. Before testing the strainer shall be cleaned, the pipework flushed and the system commissioned.

**COMMENT:**

Testing is also required annually in accordance with Compliance Schedule CS 7, except for devices installed in single residential dwellings.

Amend 5  
Feb 2004

### 4.0 Non-potable Supply

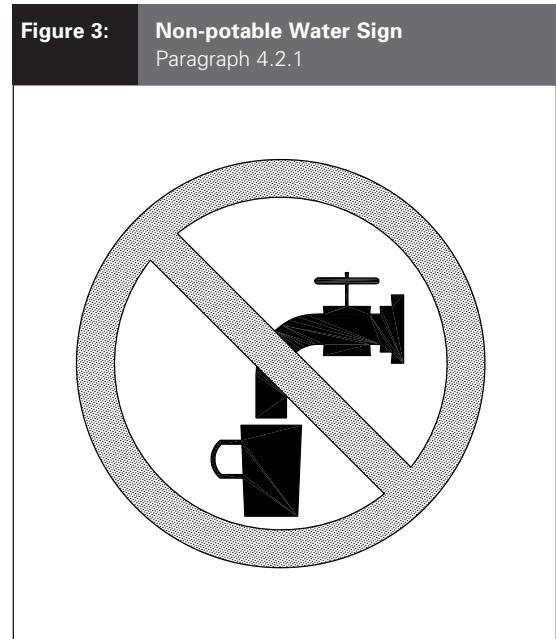
#### 4.1 Protection of non-potable water supplies

Amend 5  
Feb 2004

**4.1.1** Where non-potable water supplies are used for personal hygiene they shall be protected from High and Medium hazards (see Paragraph 3.3). Where backflow protection is required it shall be in accordance with Paragraphs 3.1 to 3.7 of this Acceptable Solution.

#### 4.2 Outlet identification

**4.2.1** NZBC F8 requires signs to be provided to all potential hazards. Outlets for non-potable water shall be identified non-potable, by displaying the safety sign shown in Figure 3.



#### 4.3 Pipeline identification

**4.3.1** Where a non-potable water supply is reticulated around the building, the potable and non-potable pipelines shall be identified in accordance with NZS 5807: Part 2.



## 5.0 Water Supply

### 5.1 Water tanks

**5.1.1** To ensure the health and safety of people in the event of the *water main* supply being interrupted, *buildings* having the classification of Community Care (e.g. hospitals, old people's homes, prisons) shall be provided with cold water storage of no less than 50 litres per person.

#### COMMENT:

1. Cold water storage is required only to maintain *adequate* personal hygiene within *buildings* where the principal users are legally or physically confined.
2. Refer to the NZBC A1 for classification of *buildings*.
3. *Network utility operators* cannot guarantee a continuous supply of water. *Building* owners may therefore wish to provide water storage to *buildings* having a classification other than Community Care, to enable continuation of a business, service, industrial process or other reason.
4. The "litres per person" is based on a daily use of 20 litres WC, 25 litres washing, 5 litres drinking.

### 5.2 Water tank installation

#### 5.2.1 Location

*Water tanks* in roof spaces shall be located and supported as detailed in Figure 4.

#### 5.2.2 Overflow pipes

*Water tanks* shall have an overflow pipe to discharge any overflow to a visible place within the same property that does not create a nuisance or damage to *building elements*. The overflow pipe shall be sized so that the discharge capacity is no less than the maximum inlet flow. The outlet of the overflow pipe shall not permit the entry of birds or vermin. Overflow from a WC cistern may discharge internally into a WC pan.

#### 5.2.3 Safe trays

Performance E3.3.2 requires water to be prevented from penetrating another *household unit* within the same *building*. An acceptable method of preventing water damage is to locate a safe tray below the *water tank* (see Figure 4). The safe tray shall incorporate an overflow pipe with a minimum *diameter* of 40 mm. Where the tank overflow discharges

into the safe tray the *diameter* of the drain shall be greater than the overflow pipe from the tank and comply with Paragraph 5.2.2.

#### 5.2.4 Covers

Covers shall be provided to:

- a) *Potable water tanks* to prevent contamination and the entry of vermin, and
- b) All tanks located in roof spaces to prevent condensation damaging *building elements*.

#### 5.2.5 Access

Covers to *water tanks* shall be removable or shall contain a covered opening to allow access for inspection and maintenance. A minimum height clearance of 350 mm above the opening is necessary for easy access.

#### 5.2.6 Supporting structure

The supporting structure for *water tanks* shall be protected from damage due to condensation where durability of the supports could be compromised by moisture. A material such as H3 treated timber shall be installed under the *water tank*.

#### 5.2.7 Structural support

NZBC B1 requires *water tanks* to be adequately supported including seismic restraint. The method illustrated in Figure 4 is acceptable for *water tanks* up to 150 litre capacity and the maximum height to breadth ratio of 1:1.

### 5.3 Water pipe size

#### 5.3.1 Pipe sizing

Pipes shall be sized:

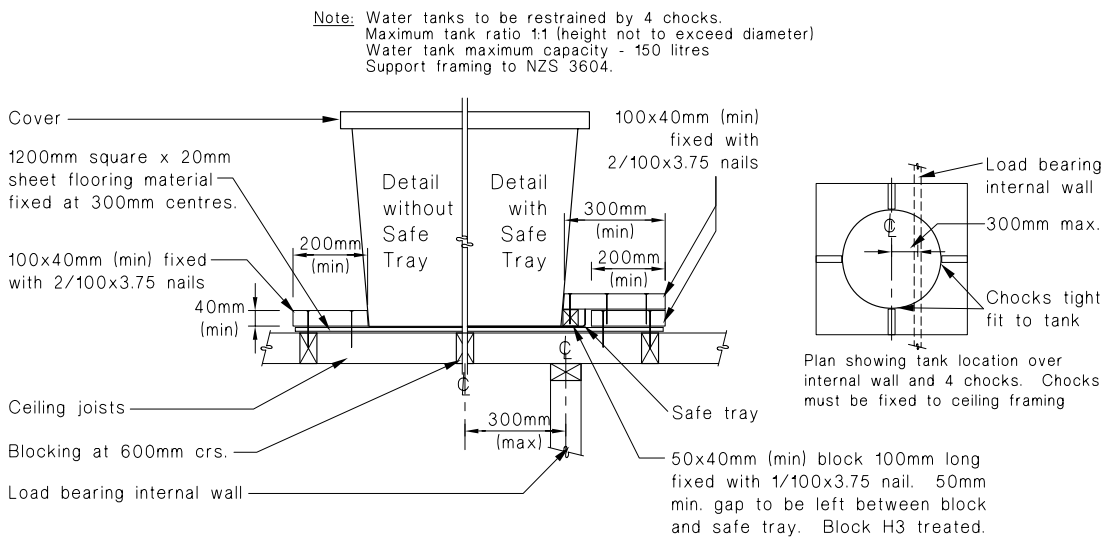
- a) To achieve the flow rates given in Table 3, or
- b) Using the sizes given in Table 4.

#### COMMENT:

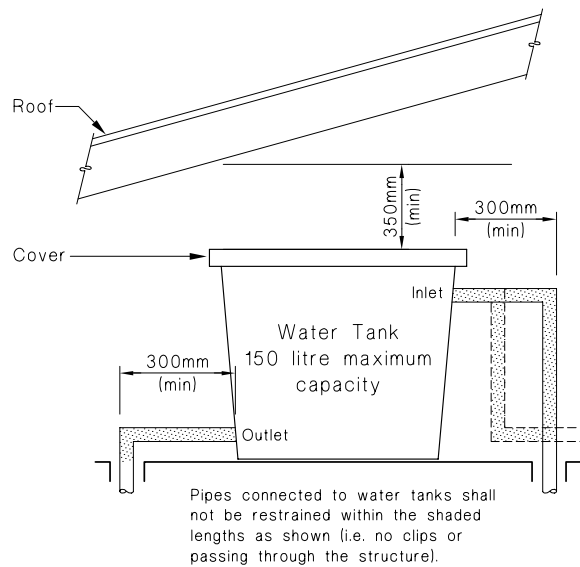
Manufacturers' literature must be referenced for pressure and flow information on tempering valves and tapware. Outlets (e.g. shower mixers and showerheads) must be appropriate for the available flow and pressure. Note the limitations on lengths and pipe sizes given in Table 3.



**Figure 4: Structural Support for Water Tanks (150 litre maximum capacity)**  
 Paragraphs 5.2.1, 5.2.3 and 5.2.7



**(a) Structural support**



**(b) Pipe connections**

**5.3.2** Where a pressure reducing or pressure limiting valve is installed, the available head shall be taken as the outlet pressure of the valve plus or minus the pressure to the outlet or valve.

Figure 5 illustrates how to determine available head to the outlet or valve.

**Table 3: Acceptable Flow Rates to Sanitary Fixtures**  
Paragraph 5.3.1

Sanitary fixture	Flow rate and temperature l/s and °C	How measured
Bath	0.3 at 45°C	Mix hot and cold water to achieve 45°C
Sink	0.2 at 60°C* (hot) and 0.2 (cold)	Flow rates required at both hot and cold taps but not simultaneously
Laundry tub	0.2 at 60°C* (hot) and 0.2 (cold)	Flow rates required at both hot and cold taps but not simultaneously
Basin	0.1 at 45°C	Mix hot and cold water to achieve 45°C
Shower	0.1 at 42°C	Mix hot and cold water to achieve 42°C

\* The temperatures in this table relate to the temperature of the water used by people in the daily use of the *fixture*.

Note:  
The flow rates required by Table 3 shall be capable of being delivered simultaneously to the kitchen sink and one other *fixture*.

**Table 4: Tempering Valve and Nominal Pipe Diameters**  
Paragraphs 5.3.1 and 6.12.1

	Low pressure (i.e. header tank supply or low pressure)	Low and medium pressure unvented (valve vented) and open vented	Mains pressure
Pressure of water at tempering valve (kPa)	20 – 30	30 – 120	over 300
Metres head (m)	2 – 3	>3 – 12	over 30
Minimum tempering valve size	25 mm	20 mm	15 mm
Pipes to tempering valve	25 mm (see <b>Note 3</b> )	20 mm	20 mm (15 mm optional) (see <b>Note 1</b> )
Pipes to shower	20 mm	20 mm (see <b>Note 4</b> )	20 mm (see <b>Note 5</b> ) (15 mm optional) (see <b>Note 1</b> )
Pipes to sink/laundry (see <b>Note 2</b> )	20 mm	20 mm	15 mm
Pipes to bath (see <b>Note 2</b> )	20 mm	20 mm	15 mm
Pipes to basins (see <b>Note 2</b> )	15 mm	15 mm	10 mm

Notes:

1. If supplied by separate pipe from *storage water heater* to a single outlet.
2. This table is based on maximum pipe lengths of 20 metres.
3. 2 m maximum length from *water heater* outlet to tempering valve.
4. 15 mm if dedicated line to shower.
5. 10 mm if dedicated line to shower.
6. Table 3 pipe sizes have been calculated to deliver water simultaneously to the kitchen sink and one other *fixture*.

Amend 5  
Feb 2004

**5.4 Maintenance facilities**

**5.4.1** The *water supply system* shall be provided with an isolating valve where a supply pipe enters the *building* or at each Dwelling unit within a Multi-unit dwelling.

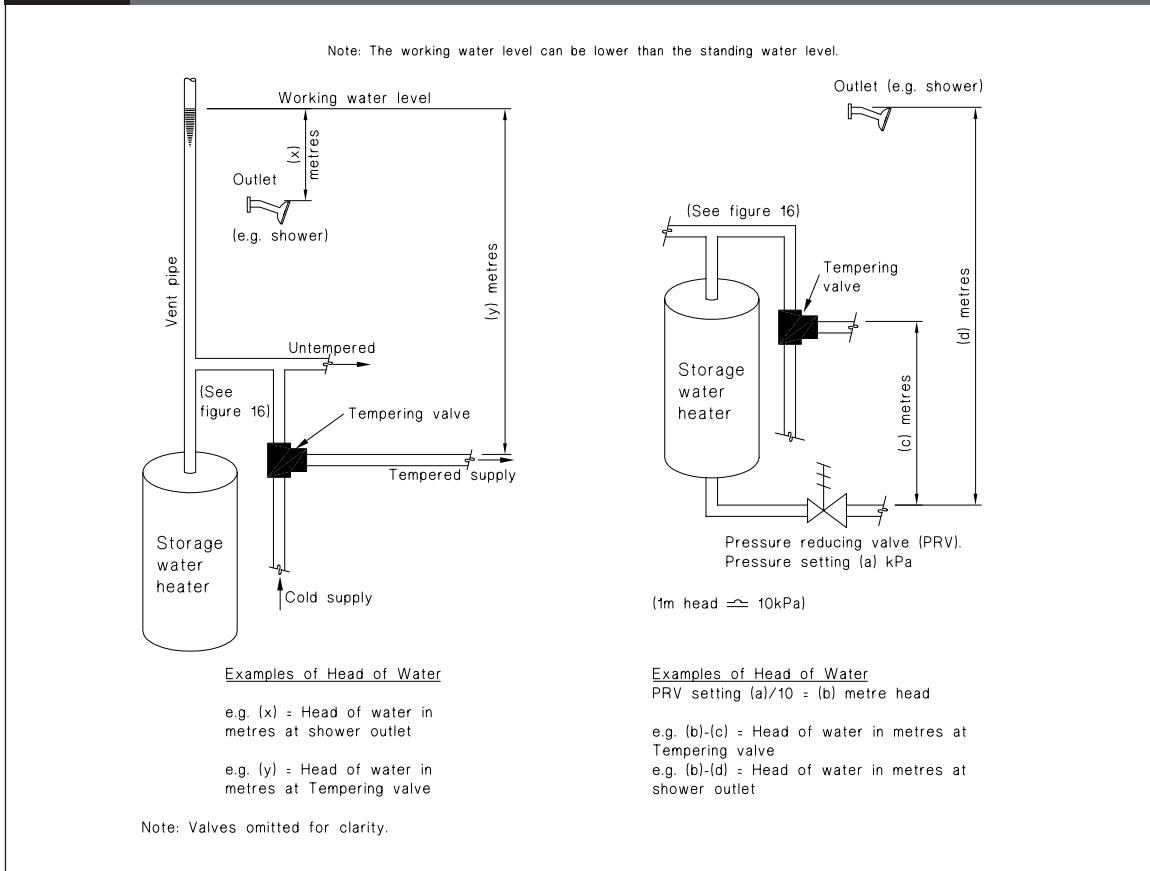
**5.4.2** Where the water supply pipe serves a Detached dwelling, the isolating valve required by Paragraph 5.4.1 may be located at the property boundary.

**COMMENT:**

Additional isolating valves may be provided for the maintenance of *storage water heaters*, valves and components.

**5.4.3** Provision shall be made for draining *storage water heaters* in accordance with Figure 7.

**Figure 5:** Head of Water Available  
Paragraph 5.3.2



**6.0 Hot Water Supply System**

**6.1 Water heaters**

**6.1.1** Water heaters shall comply with Table 5.

**6.1.2** Hot water supply systems are given in Figures 6 to 11. (Note: Pipe insulation is not shown for clarity.)

**6.2 Water supply to storage water heaters**

**6.2.1** Storage water heaters shall be supplied with cold water at a pressure not exceeding their working pressure by means of a:

- a) Water tank,
- b) Pressure reducing valve,
- c) Pressure limiting valve, or
- d) Mains pressure supply.

Amend 5  
Feb 2004

**Table 5:** Water Heaters  
Paragraph 6.1.1

Water heater type	Standard/Regulation
Electric low pressure copper storage water heater	NZS 4602
Electric storage water heater	NZS 4606: Parts 1, 2 and 3 AS 1056: Part 1
Electric instantaneous water heater	NZS 6335
Gas storage water heater	Gas Regulations
Gas instantaneous water heater	Gas Regulations
Solar storage water heater	NZS 4613 (see G12/AS2) AS/NZS 2712 (see G12/AS2)

Third Edition  
Dec 2007

**6.2.2** Storage water heaters supplied by other than a water tank shall include a non-return valve as shown in Figures 7, 8, 9 and 10 to prevent the storage water heater emptying and hot water flowing into the cold water supply and thence from the cold water taps.

**6.2.3** Filters or strainers shall be installed upstream of any valves that could be damaged or malfunction due to solids in the water supply.

**6.3 Operating devices**

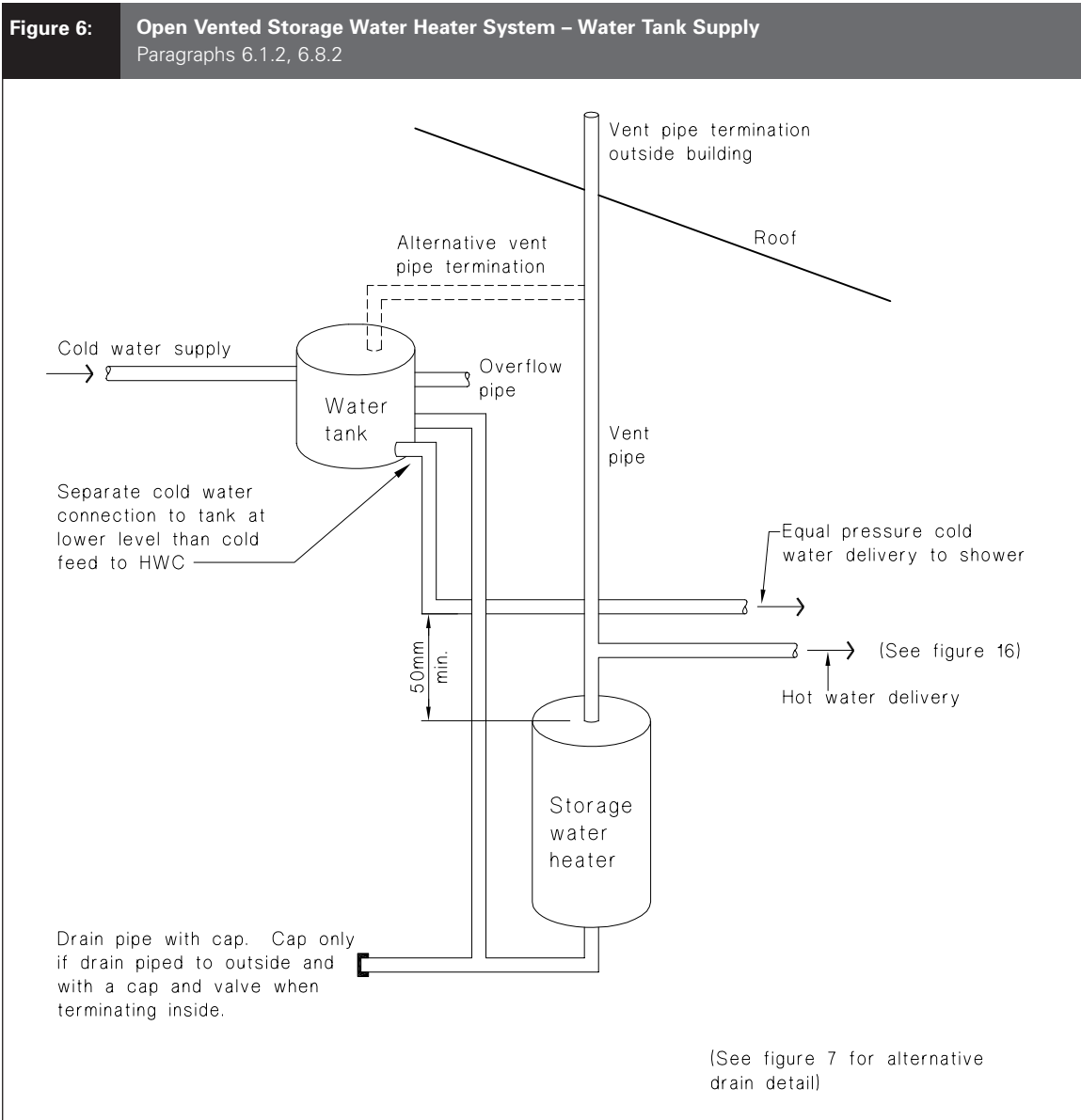
**6.3.1** Electric and gas storage water heaters shall have their temperature controlled by a thermostat on each heating unit.

**6.3.2** Open vented storage water heaters shall have a vent pipe complying with Paragraph 6.8.

**6.3.3** Valve vented (unvented) systems shall have:

- a) An expansion control valve
- b) A vacuum relief valve to prevent collapse of the storage water heater where it is not designed to withstand a full vacuum, and
- c) Valves complying with Table 6.

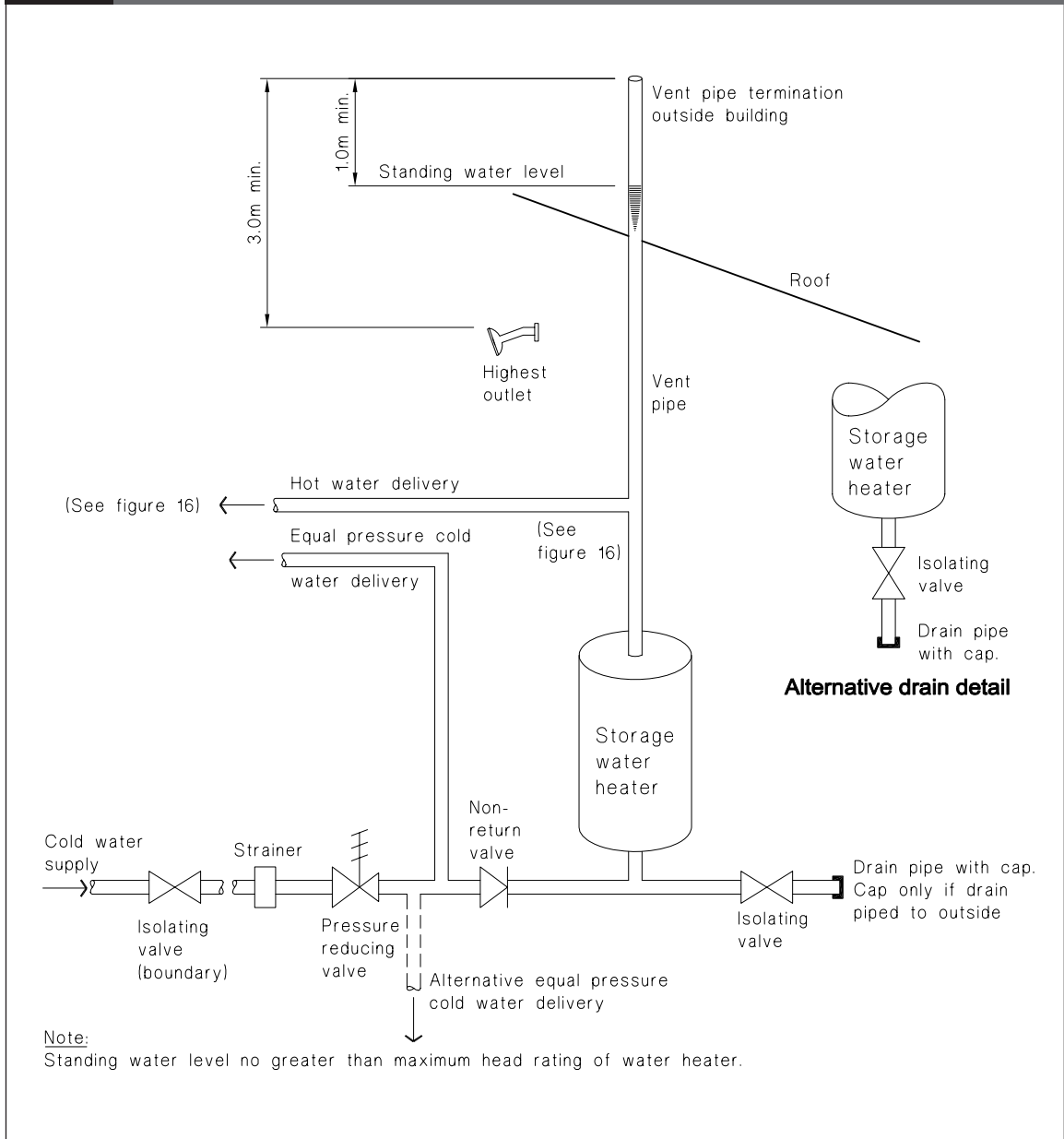
Amend 5  
Feb 2004



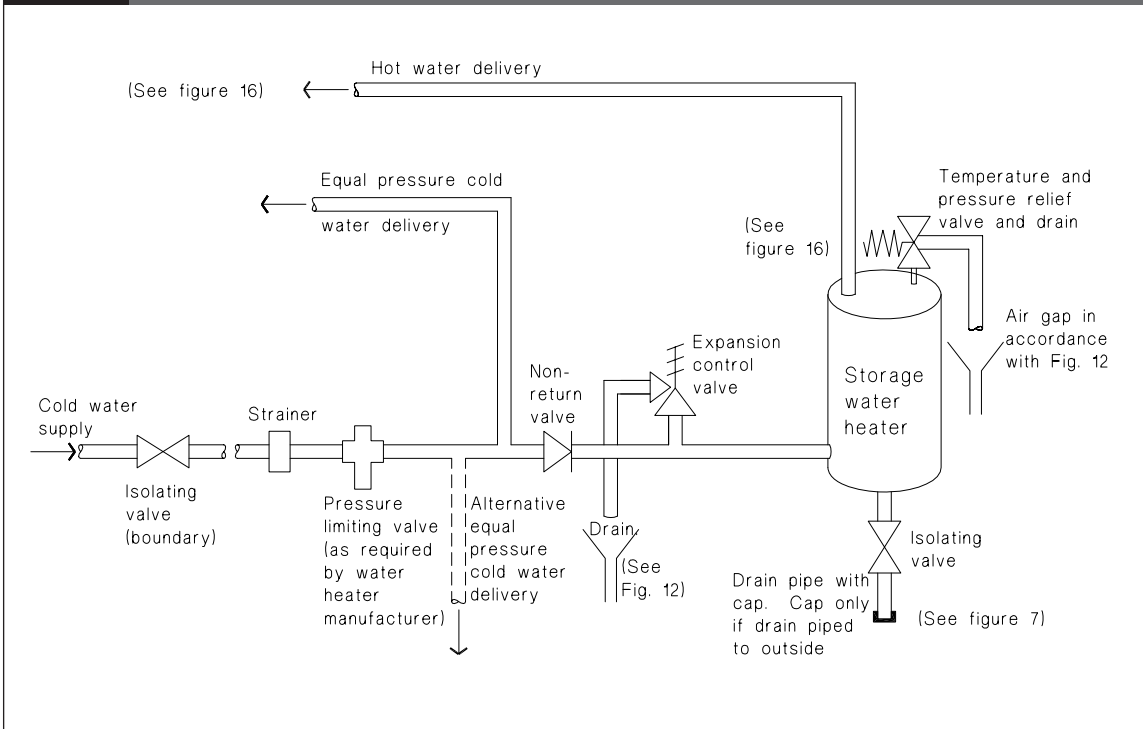
Amend 5  
Feb 2004

**Figure 7: Open Vented Storage Water Heater System – Pressure Reducing Valve**  
 Paragraphs 5.4.3, 6.1.2, 6.2.1 b), 6.8.2 d)

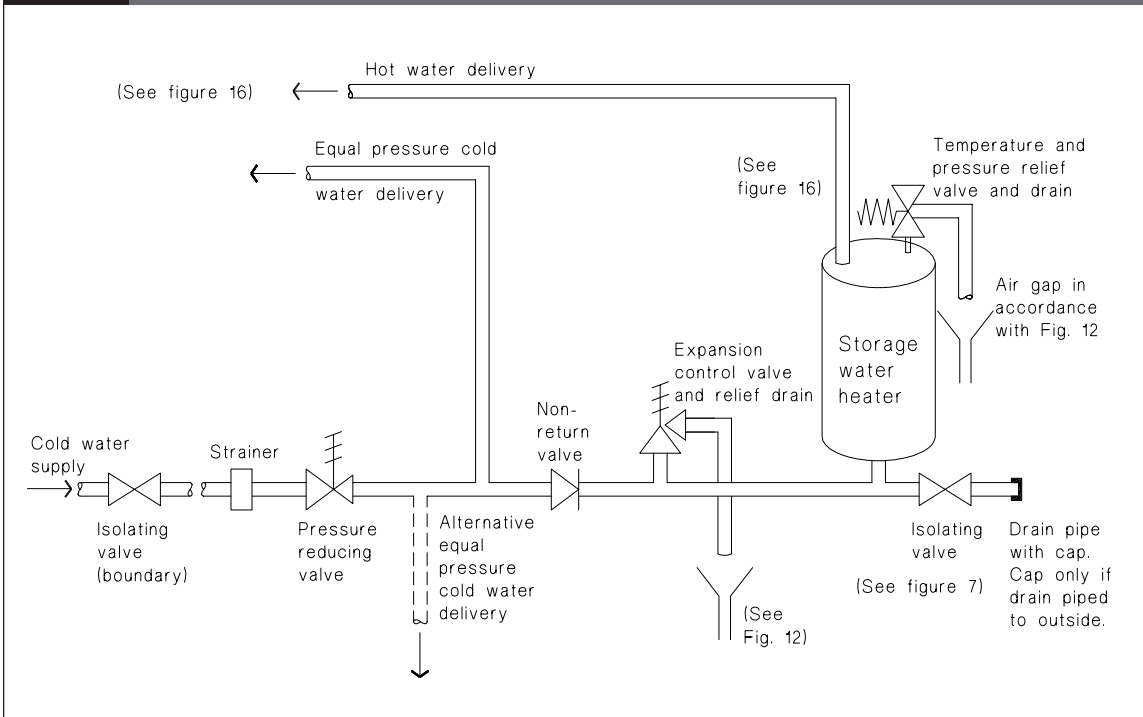
Amend 5  
 Feb 2004



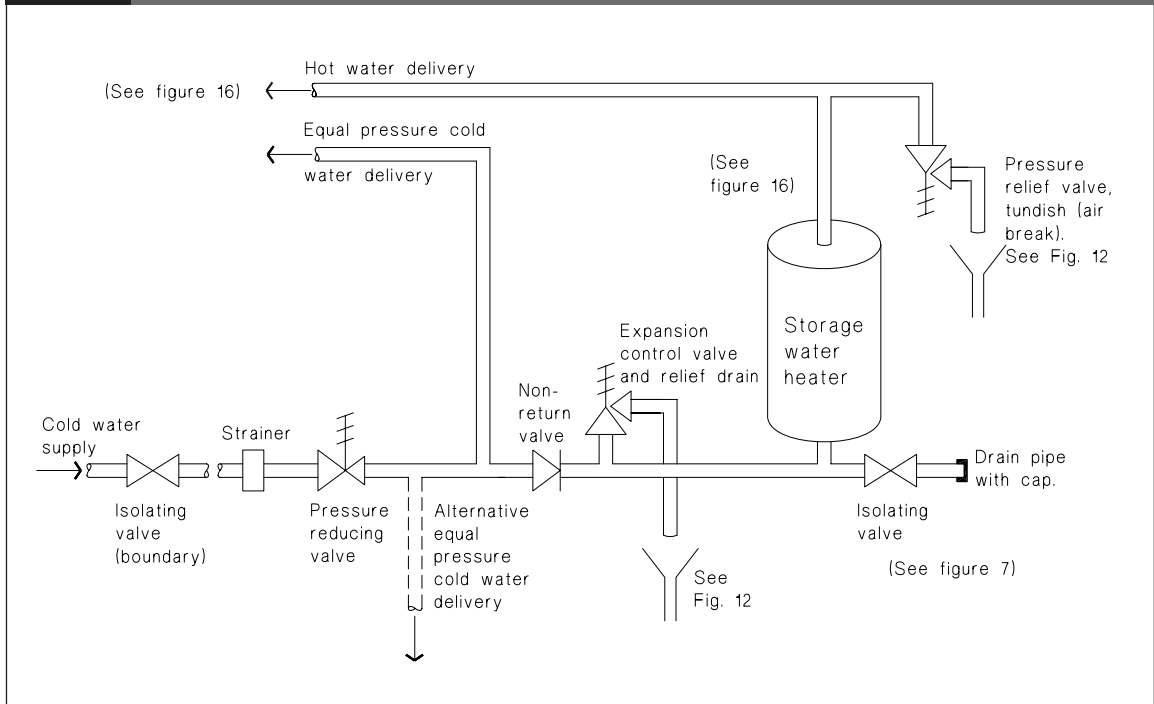
**Figure 8: Mains Pressure Storage Water Heater System (unvented)**  
 Paragraphs 6.1.2 and 6.2.1 b)



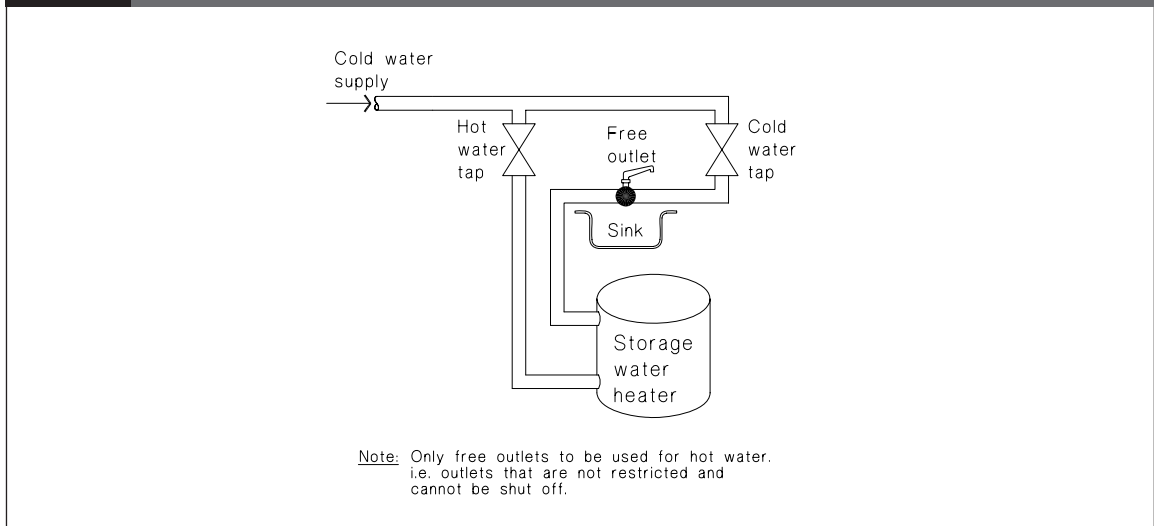
**Figure 9: Low Pressure Valve – Vented Water Heater System – Temperature and Pressure Relief Valve**  
 Paragraphs 6.1.2 and 6.2.1 b)



**Figure 10: Low Pressure Valve – Vented Storage Water Heater System – Pressure Relief Valve**  
 Paragraphs 6.1.2 and 6.2.1 b)



**Figure 11: Free Outlet System (push through)**  
 Paragraph 6.1.2



**6.4 Safety devices**

**6.4.1** Valve vented (unvented) systems shall have in addition to Paragraph 6.3.3 the following safety devices:

- a) Combined temperature/pressure relief valve for systems with a working pressure greater than 120 kPa,
- b) Combined temperature/pressure relief valve or a pressure relief valve for systems with a working pressure less than 120 kPa,
- c) An energy cut-off for each heating unit on gas and electric systems, and
- d) Valves complying with Table 6.

**6.4.2** Free outlet (push through) water heaters shall have a relief valve. No relief valve drain is required.

**6.5 Temperature control devices**

**6.5.1** Electric thermostats and energy cut-off devices shall comply with NZS 6214 or AS 1308.

**6.5.2** Energy cut-off devices shall be designed to:

- a) Be reset manually, and
- b) Disconnect the energy supply before the water temperature exceeds 95°C.

**6.6 Relief valves**

**6.6.1** All valves shall have flow rates, pressure and diameter compatible with the system they serve.

**6.6.2** Pressure relief valves and expansion control valves shall have:

- a) A flow rate capacity of no less than the rate of cold water supply, and
- b) A maximum pressure rating of no more than the working pressure of the hot water storage vessel.

**COMMENT:**

The provision of cold water expansion valves satisfies two objectives of the New Zealand Building Code:

- 1. Safety: Protects the pressure relief or combined temperature/pressure relief valve from blockage due to calcium and other similar deposits where hard water is frequently discharged through the valve.
- 2. Energy Efficiency (NZBC H1): Cold water instead of hot water is discharged to waste during the frequent warm up cycles.

**6.6.3** Expansion control valves shall have a pressure rating of no less than that of the water supply pressure to the storage water heater, but less than the pressure rating of the relief valve.

Third Edition  
Dec 2007

Amend 5  
Feb 2004

Amend 5  
Feb 2004

**Table 6: Storage Water Heater Valves**  
Paragraph 6.3.3 c) and 6.4.1 d)

Valve type	Standard
Cold water expansion valves	NZS 4608 BS 6283: Part 1 AS 1357: Part 1
Temperature/pressure relief valve	NZS 4608 BS 6283: Part 3 AS 1357: Part 1
Non-return valves	NZS 4608 AS 1357: Part 1
Vacuum relief valves	NZS 4608 AS 1357: Part 2
Pressure reducing valves and pressure limiting valves	NZS 4608 BS 6283: Part 4 AS 1357: Part 2
Pressure relief valves	NZS 4608

Amend 5  
Feb 2004



**6.6.4** The following valves shall have an energy rating greater than that of the energy sources heating the water:

- a) Temperature/pressure relief valve, and
- b) Pressure relief valve.

**6.6.5 Valve installation**

- a) Temperature/pressure relief valves shall be located with their probe within the top 20% of the water capacity and no more than 150 mm from the top of the container,
- b) Pressure relief valves shall be located no further than 1 metre from the *storage water heater*, and
- c) Valves shall be installed in a manner which provides for easy access for replacement, servicing or maintenance of devices.

**6.6.6** There shall be no valve or restriction between the relief valve and the *storage water heater*.

**6.7 Relief valve drains**

**6.7.1** Relief valve drains (see Figures 12 and 13) shall be fitted to:

- a) Temperature/pressure relief valves,
- b) Pressure relief valves, and
- c) Expansion control valves.

**6.7.2 Relief valve drains shall:**

- a) Be of copper pipe,
- b) Have no restrictions or valves,
- c) Have a continuous fall from the relief valve to the outlet,
- d) Discharge in a visible position which does not present a hazard or damage to other *building elements* (except when used in association with *free outlet storage water heaters*),
- e) Have a minimum *diameter* of the same size as the valve outlet,
- f) Have the number of changes in direction plus the length of the relief drain (in metres) not exceeding 12,

**COMMENT:**

For example: 7 metres of pipe allows the total number of bends to be 5.

- g) Be connected to a relief valve in accordance with the valve manufacturer's specification,
- h) Comply with Paragraph 6.7.3 when relief valve drains are combined, and
- i) Comply with Paragraphs 6.7.4 and 6.7.5 when freezing is likely.

**6.7.3 Combined relief valve drains**

When relief valve drains are combined the combined drain shall (see Figure 13):

- a) Receive discharges from one temperature/pressure relief valve or the pressure relief valve and one expansion control valve,
- b) Discharge via a minimum air break of 25 mm, and
- c) Have a minimum size of 20 mm *diameter* and be one size larger than the largest relief valve outlet.

**COMMENT:**

The drain from the *storage water heater* may also be connected into the combined relief valve drain.

**6.7.4 Water heaters located where freezing is likely**

Additional requirements for relief valve drains are (see Figure 12):

- a) Relieve one valve only, and
- b) Comply with Paragraph 6.7.5 when freezing of the drain is likely.

**COMMENT:**

This paragraph applies to *water heaters* that are installed outside the *building's* thermal envelope in cold climates.

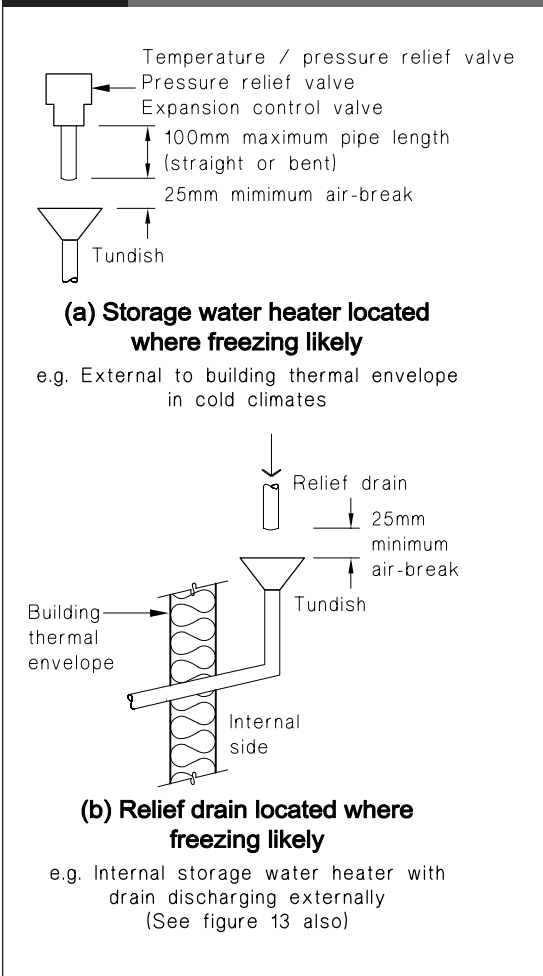
**6.7.5 Relief drains located where freezing is likely**

Additional requirements for relief drains located where freezing is likely (see Figure 12) are that:

- a) Relief valve drain pipes shall discharge over a tundish with a 25 mm air break before the drain pipe enters a zone where freezing is likely, and
- b) Relief valve drains from a tundish shall be one size larger than the outlet *diameter* of the relief valve.

Amend 5  
Feb 2004

**Figure 12: Relief Valve Drains – Freezing Protection**  
Paragraphs 6.7.1, 6.7.4 and 6.7.5



**6.8 Vent pipes**

**6.8.1 Vent pipes for open vented storage water heaters** shall comply with the provisions of Paragraphs 6.8.2 and 6.8.3.

**6.8.2 Installation**

- a) Materials: The pipe material shall be copper complying with Table 1,
- b) *Diameter*: The *diameter* of the *vent pipe* shall be no less than that of the hot water outlet fitting on the *storage water heater* and no less than 20 mm where the energy input rating is greater than 3 Kw,
- c) Termination: The *vent pipe* (see Figure 6) shall terminate either:
  - i) outside the *building*, or
  - ii) over a water tank supplying the *storage water heater*, and
- d) Height: The *vent pipe* height, measured in metres from the base of the *storage water heater*, shall not exceed the height (in metres) that equates to the maximum pressure rating of the *storage water heater*, and
- e) Water level: The normal standing water level in the *vent pipe* shall be a minimum of 3.0 metres above the highest outlet. The height of the *vent pipe* shall be:
  - i) 300 mm above the standing water level of the *vent pipe*, for tank fed systems, and
  - ii) 1.0 m above the standing water level, for pressure reducing valve fed systems.

**COMMENT:**

This paragraph applies to *storage water heaters* located inside the *building's* thermal envelope with relief valve drains discharging where freezing of the drain is likely.

**6.7.6** Closed cell foam polymer insulation or fibre glass insulation which is preformed to the shape of the pipe and not less than 13 mm thick, is acceptable material for preventing pipes less than or equal to 40 mm *diameter* from freezing. Any insulation material that absorbs moisture shall be protected in a waterproof membrane.

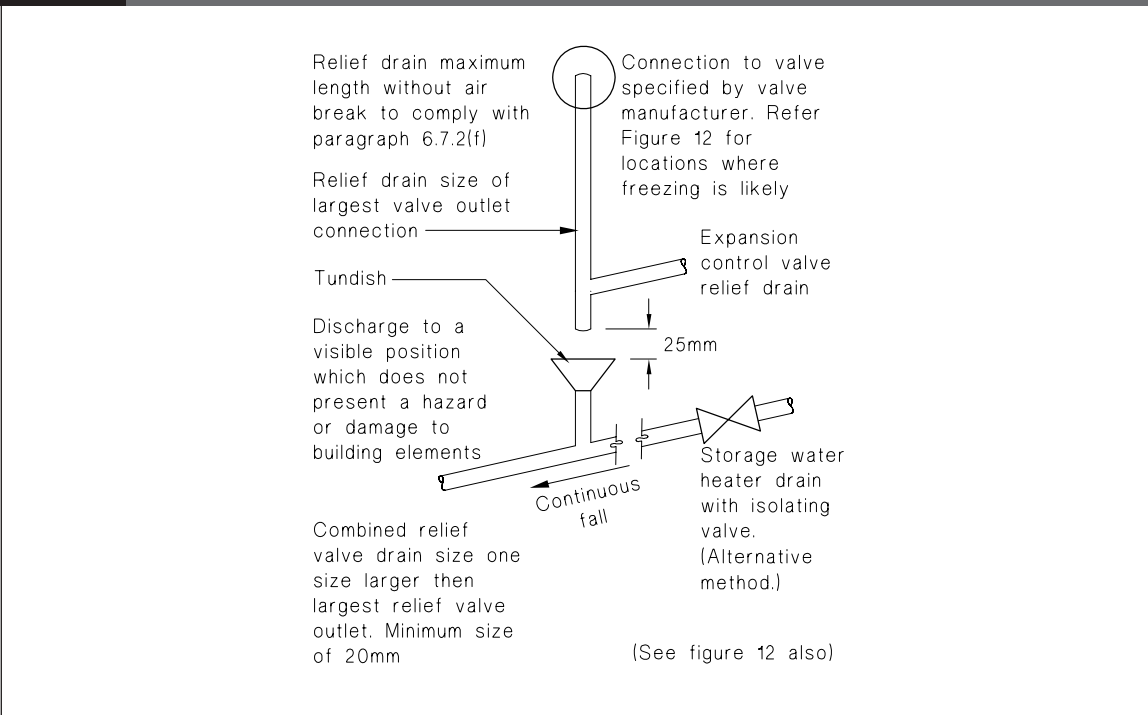
**COMMENT:**

- a) The 1.0 m height has been found to prevent hot water loss due to the pressure reducing valve creeping.
- b) The 3.0 m height is measured from the highest fitting in order to ensure sufficient working head to that fitting.
- c) 9.81 kPa = 1 metre in head = 1 metre in height.

Amend 5  
Feb 2004

Amend 5  
Feb 2004

**Figure 13: Relief Valve Drains – Combined**  
Paragraphs 6.7.1, 6.7.2 f) and 6.7.3



Amend 5  
Feb 2004

**6.8.3 Insulation**

- a) Where the *vent pipe* is likely to be subjected to freezing, it shall be insulated between the top of the *storage water heater*, and a point no less than 300 mm above the normal standing water level in the *vent pipe*.
- b) Insulation material is to comply with Paragraph 6.7.6.

**6.9 Another acceptable solution for the installation of open vented storage water heaters**

**6.9.1** NZS 4603 is an acceptable solution for open vented low pressure *storage water heaters*, but may exceed the performance criteria of NZBC G12.

**6.10 Another acceptable solution for the installation of unvented (valve vented) storage water heaters.**

**6.10.1** NZS 4607 is an acceptable solution for unvented (valve vented) *storage water heaters*, but may exceed the performance criteria of NZBC G12.

**6.11 Water heater installation**

**6.11.1** *Water heaters* shall be installed in accordance with the manufacturer's instructions.

**6.11.2** Where heating units, sacrificial anodes, thermostats, pipework connections, valves, or other accessories being components of a *storage water heater* are installed, they shall be accessible for inspection, maintenance and removal.

**6.11.3** *Storage water heaters* shall have:

- a) Safe trays complying with Paragraph 5.2.3 where water could penetrate another *household unit* within the same *building*.
- b) Connections compatible with the pipe material used, and
- c) Drain pipes (for every *storage water heater* of more than 45 litres capacity) which:
  - i) have a conveniently located isolating valve, and terminate with a cap or plug suitably located to easily empty the vessel for maintenance, or
  - ii) terminate outside the *building* with a cap only.

Third Edition  
Dec 2007

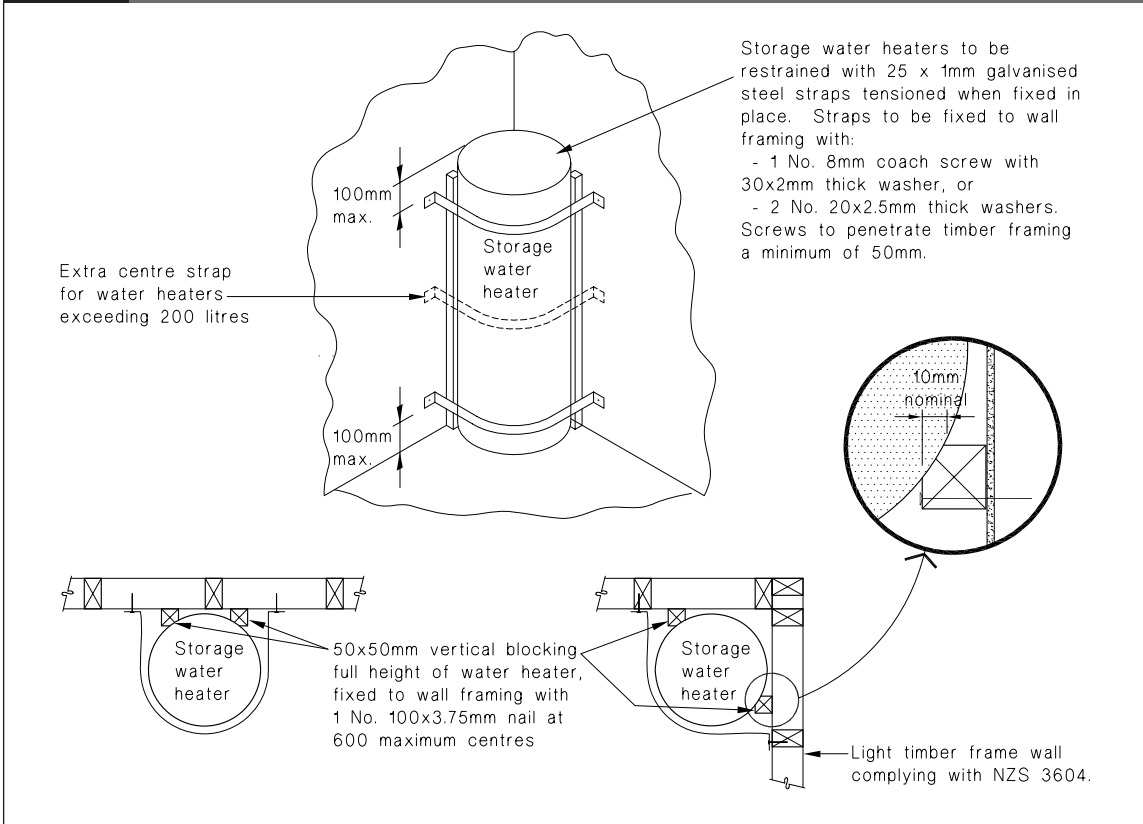
Third Edition  
Dec 2007

Amend 5  
Feb 2004

Amend 5  
Feb 2004

Amend 5  
Feb 2004

**Figure 14: Seismic Restraint of Storage Water Heaters 90 – 360 litres**  
Paragraph 6.11.4



**6.11.4 Structural Support**

NZBC B1.3.2 requires *building elements* (including *storage water heaters*) to be adequately supported including support against earthquake forces. The method illustrated in Figure 14 is acceptable for *water heaters* up to 360 litre capacity. Where fittings and pipework are attached to the *water heater* through the supporting platform or floor a 50 mm minimum clearance shall be provided between the fitting and the support structure.

**6.11.5** Another acceptable solution for securing *storage water heaters* against seismic forces is given in Section 203 of NZS 4603.

**6.12 Hot water pipe sizes**

**6.12.1** The *diameter* of hot water supply pipes from *storage water heaters* and to *sanitary fixtures* shall be no less than those required by Table 4.

**6.13 Wet-back water heaters**

**6.13.1** *Wet-back water heaters* shall be:

- a) Connected only to *open vented storage water heaters*, or a water storage vessel (see Figure 15), and
- b) Made of copper.

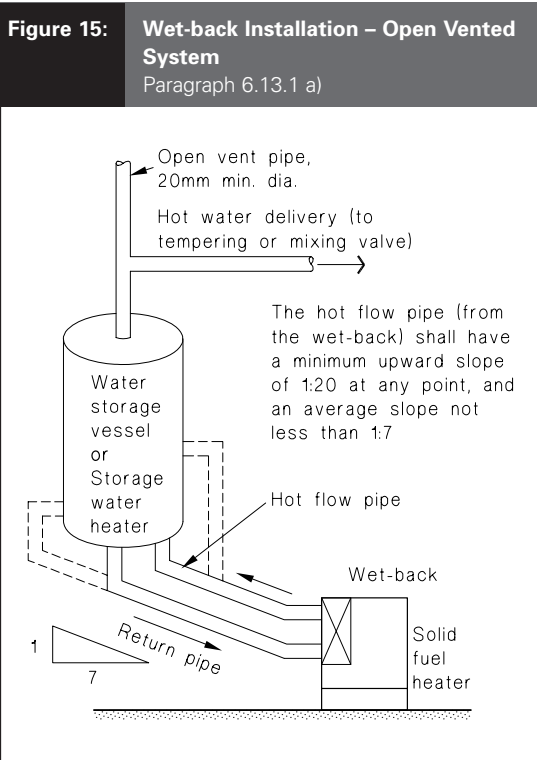
**6.13.2** Copper pipework shall be used between the wet-back and the *water tank*.

Third Edition  
Dec 2007

Amend 5  
Feb 2004

Amend 5  
Feb 2004

Amend 5  
Feb 2004



## 6.14 Safe water temperatures

### 6.14.1 Maximum temperatures

The delivered hot water temperature at any *sanitary fixture* used for personal hygiene shall not exceed:

- a) 45°C for early childhood centres, schools, old people's homes, institutions for people with psychiatric or physical disabilities, hospitals, and
- b) 55°C for all other *buildings*.

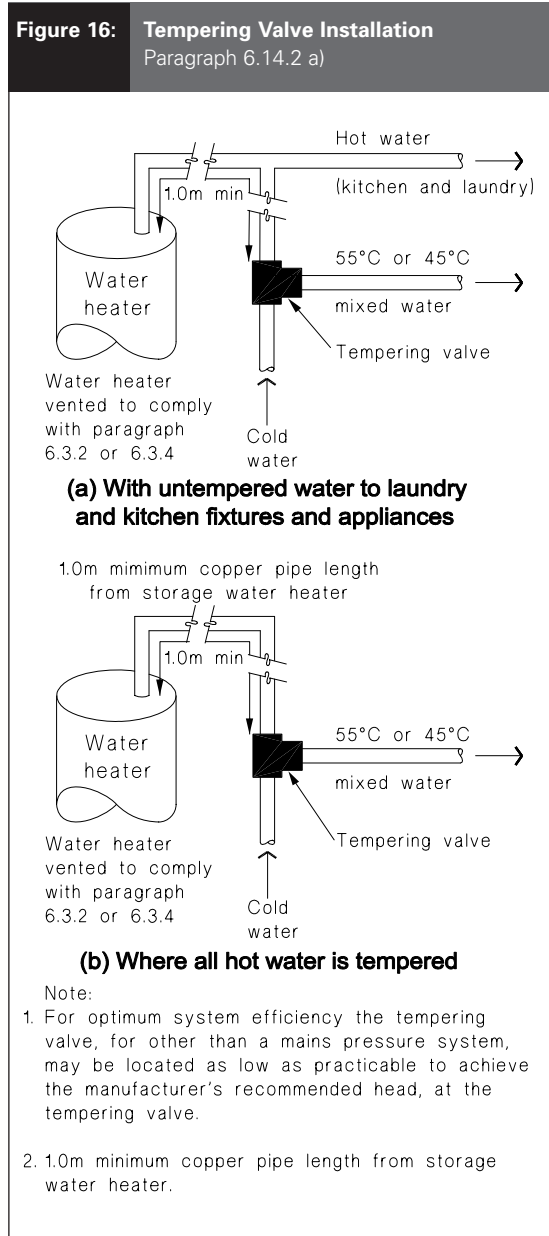
**COMMENT:**

1. At greatest risk from scalding are children, the elderly, and people with physical or intellectual disabilities, particularly those in institutional care.
2. *Sanitary fixtures* used for personal hygiene includes showers, baths, hand basins and bidets.

### 6.14.2 Hot water delivered from storage water heaters

- a) An acceptable method of limiting hot water temperature delivered from *storage water heaters* is to install a mixing device between the outlet of the *water heater* and the *sanitary fixture* (see Figure 16).

Amend 5  
Feb 2004



- b) Tempering valves shall comply with NZS 4617 or AS 1357.2.

### 6.14.3 Legionella bacteria

Irrespective of whether a mixing device is installed, the *storage water heater* thermostat shall be set at a temperature of not less than 60°C to prevent the growth of Legionella bacteria.

Third Edition  
Dec 2007

Amend 5  
Feb 2004

Amend 5  
Feb 2004

**Table 7: Water Supply Pipework Support Spacing**  
Paragraph 7.1.3

Pipe material	Pipe diameter (mm)	Maximum distance between supports (m)	
		Vertical pipe	Graded and horizontal pipe
Copper	10 – 15	1.5	1.2
	20 – 25	2.0	1.5
Galvanised steel	15 – 20	2.0	1.5
	25	3.0	2.5
uPVC	15 – 20	2.0	1.0
	25	2.4	1.2
Polyethylene and polybutylene (cold water supply)	15 – 20	1.5	0.75
	25	1.8	0.9
Polybutylene (hot water supply)	15 – 18	1.0	0.6
	20 – 22	1.4	0.7

Note:  
The spacing for these pipe materials is based on the pipes being located within the *building* structure.

Amend 5  
Feb 2004

**6.14.4** The water temperatures within flow and return circulating systems shall be maintained at not less than 60°C.

**COMMENT:**

Alternative methods of controlling Legionella within hot water circulating or warm water systems may include chlorine disinfection, UV sterilisation, high temperature pasteurisation combined with system flushing as part of a documented maintenance programme.

**7.0 Installation Methods**

**7.0.1** *Water supply systems* shall be installed to comply with the durability requirements of NZBC B2.

**7.1 Pipe supports**

**7.1.1** Pipes and their supports shall be electrochemically compatible.

**7.1.2** Except where anchor points are necessary, the pipes shall be installed and supported in a manner which permits thermal movement.

**7.1.3 Support spacing**

Above ground water supply pipework shall be securely supported at centres of no greater than those given in Table 7.

**7.1.4 Anchor points**

Anchor points shall be provided where:

- a) Seal ring joints are used, and
- b) The joint is not able to resist the thrust imposed by the water pressure.

**7.2 Protection from freezing**

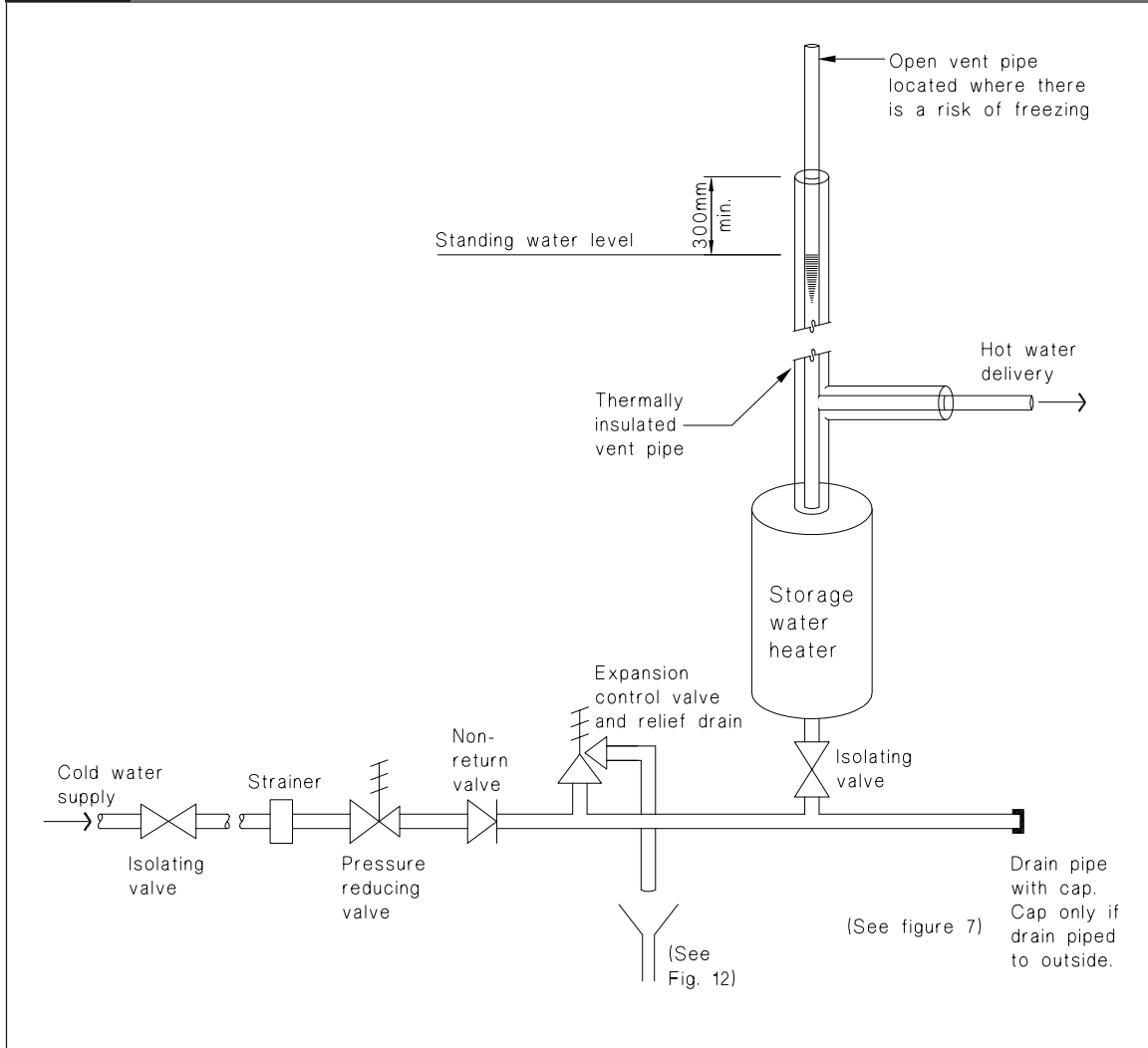
**7.2.1** Where there is the likelihood of freezing, hot and cold *water supply systems* shall be protected in the following manner:

- a) Piping outside of the *building* thermal envelope shall be insulated,
- b) Piping buried in the ground shall be insulated or installed below a level affected by freezing, and
- c) *Storage water heater vent pipes* shall be insulated (see Figure 17).

**7.2.2** In climates where freezing temperatures are likely for a period of greater than 24 hours an expansion control valve is required in addition to *vent pipe* insulation (see Figure 17).

Third Edition  
Dec 2007

**Figure 17: Open Vented Storage Water Heaters in Climates Subject to Freezing**  
 Paragraphs 7.2.1 c) and 7.2.2



**7.3 Protection from damage**

**7.3.1** Water supply pipes shall be protected from the likelihood of damage.

**7.3.2 Pipes below ground level**

An acceptable method of protecting water supply pipes is to provide the minimum covers given below:

**Cover Location**

- 600 mm Residential driveways and similar areas subjected to occasional heavy traffic
- 450 mm Gardens, lawns or other areas not subjected to traffic

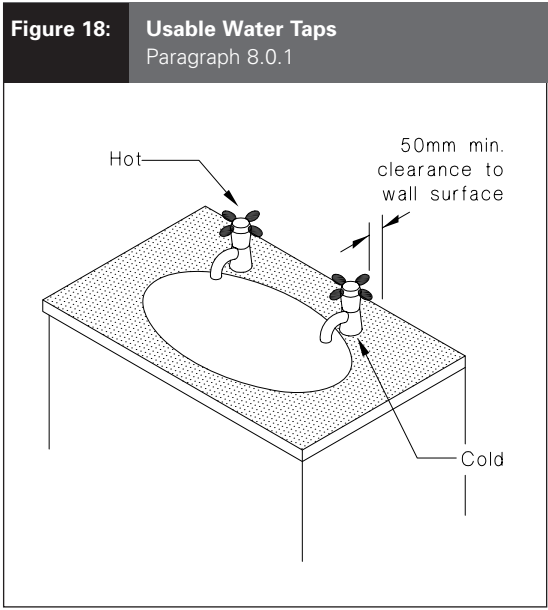
**7.3.3 Movement in concrete or masonry**

Pipes penetrating concrete or masonry elements shall be either wrapped with a flexible material, or passed through a sleeve or duct, to permit free movement for expansion and contraction.

Pipework in or under a concrete slab must be installed in a manner to achieve a 50 year durability.

**7.4 Installation of uPVC Pipes**

**7.4.1** An acceptable method of installing uPVC pipe is given in NZS 7643.



**7.5 Watertightness**

**7.5.1** The *water supply system* shall be tested to ensure watertightness. An acceptable testing method is to:

- a) Subject the hot and cold system to a pressure of 1500 kPa for a period of not less than 15 minutes, and
- b) Inspect the system to ensure that there are no leaks.

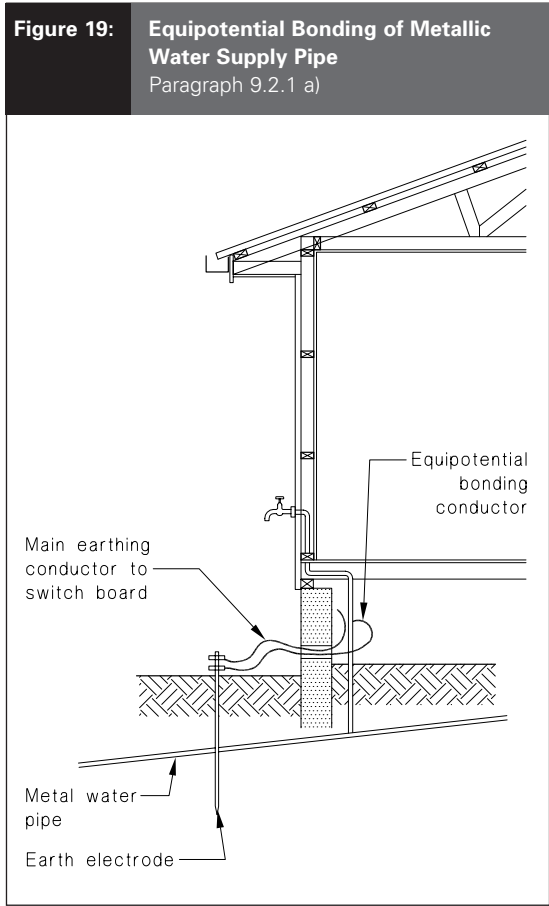
**COMMENT:**

- 1. Testing should be carried out before concealing pipework behind interior linings, flooring or within concrete, or before backfilling trenches.
- 2. All *fixtures, appliances, water tanks, storage water heaters* and other equipment, which may be damaged during pressure testing, should be isolated before testing.

**7.5.2** Another acceptable solution for testing uPVC water piping systems is given in Section 9 of NZS 7643.

**8.0 Usable Facilities for People with Disabilities**

**8.0.1** Where taps are likely to be used for personal hygiene or the washing of utensils by *people with disabilities*, they shall have (see Figure 18):



- a) Lever or capstan handles,
- b) 50 mm clearances to wall surfaces, and
- c) The hot tap located to the left of the cold tap.

**COMMENT:**

This requirement does not apply to *Housing, Outbuildings, Ancillary buildings*, and *Industrial buildings* employing fewer than 10 people.

**9.0 Equipotential Bonding**

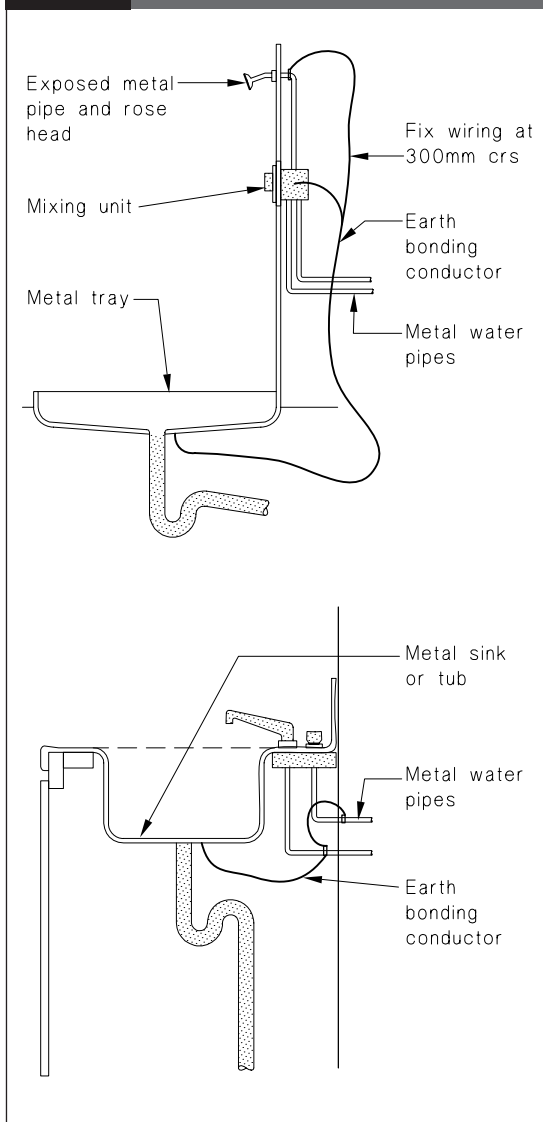
**9.1 General**

**9.1.1** NZBC G9 requires any electrical installation within a *building* to be constructed to protect users from the dangers of contact with parts of the *building* that may become live during fault conditions.

**9.1.2** Equipotential bonding is required where all of the following conditions are likely to exist:



**Figure 20: Equipotential Bonding of Metallic Sanitary Fixtures**  
Paragraph 9.2.2 a)



- a) Electricity is provided within a *building*,
- b) The water supply pipe is metallic,
- c) *Building* users are able to make contact with exposed parts of metal water supply pipe, or any metallic *sanitary fixtures* connected to it, and
- d) The metal pipe is in contact with the ground, and forms a continuous metallic link from the ground to those parts of the pipe exposed to *building* users.

**COMMENT:**

No equipotential bonding is required if the water supply piping is plastic.

**9.2 Installation of equipotential bonding conductors**

**9.2.1 Water supply pipe**

- a) Metallic water supply pipe shall be bonded to the earth electrode with an equipotential bonding conductor, as shown in Figure 19. The connection to the water pipe shall be as close as practicable to the point where the pipe leaves the ground, and
- b) Metallic hot and cold water supply pipes shall be bonded together.

**9.2.2 Metallic sanitary fixtures**

- a) Metallic *sanitary fixtures* shall be bonded to the metallic water supply pipe with an equipotential bonding conductor, as shown in Figure 20.

**COMMENT:**

Metallic *sanitary fixtures* are only required to be bonded to metallic water supply pipes where it is possible for a person to simultaneously touch the pipe (via a tap) and the *fixture*.

- b) The bonding conductor shall be connected directly to the *sanitary fixture*. The bonding conductor may connect to the waste pipe where a metallic waste pipe is connected to the *sanitary fixture* and a continuous metallic link is formed between the waste pipe and the *fixture*.

**9.3 Earth bonding conductors**

**9.3.1** Earth bonding conductors shall be:

- a) Made of copper and have a cross-sectional area no less than 4.0 mm<sup>2</sup>,
- b) Sheathed with insulating material coloured green, and
- c) Fixed at intervals of no greater than 300 mm with aluminium cable fixings.

**9.3.2** Earth bonding conductors shall comply with NZS 6401 or AS 3147.



# Acceptable Solution G12/AS2

## Solar Water Heaters

### 1.0 Scope

**1.0.1** This Acceptable Solution applies to solar water heaters installed in or on buildings.

**1.0.2** To comply with this Acceptable Solution solar water heaters must also comply with the appropriate requirements of G12/AS1. This Acceptable Solution meets the requirements of NZBC Clauses B1, B2, E2, G12 and H1.

**1.0.3** Text boxes headed '**COMMENT**' occurring throughout this document are for guidance purposes only.

### 1.1 Structural support limitations

**1.1.1** Where a building has not been specifically designed to support a solar water heater, this Acceptable Solution can be used for the support and fixing of a solar collector on buildings that meet the structural requirements specified in any one of the following:

- NZS 3604: 1990
- NZS 3604: 1999
- NZS 4203
- AS/NZS 1170: Parts 0, 1, 2, 3 and NZS 1170: Part 5.

But only when all of the following requirements are met:

- a) the weight of solar collector, including frames, fittings, and heat transfer fluid, has a combined weight of no more than 22 kg per square metre (based on the gross area of the solar collector), and
- b) the hot water storage tank is not installed on or above the roof, and
- c) where the hot water storage tank is located within a roof it has a maximum size of:
  - i) 200 litres when installed in accordance with NZS 3604: 1999 Section 14, or
  - ii) 450 litres when installed in accordance with AS/NZS 3500 Part 4: 2003 Section 5, and

- d) the roof has a pitch no steeper than 45°, and
- e) the building is in a wind zone where wind speeds do not exceed 50 m/s (VH wind zone defined in NZS 3604: 1999), and
- f) the solar collector has an area no greater than 4 m<sup>2</sup>, and
- g) the design snow loading for the building is less than 0.5 kPa as determined by NZS 3604: 1999 Section 15, and
- h) either:
  - i) the solar collectors are installed parallel to the roof cladding, or
  - ii) where solar collectors are installed at a different pitch to the pitch of the roof:
    - the pitch of the solar collector is not greater than 45° to the horizontal, and
    - the building is in a wind zone where wind speeds do not exceed 44 m/s (H wind zone defined in NZS 3604: 1999), and
    - the solar collector faces in the same compass direction as the section of roof the solar collector is installed on.

#### COMMENT:

1. The limitations described in Paragraph 1.1.1 are necessary, because roofs are likely to have limited capacity to support additional loads.

**1.1.2** When any of the requirements described in Paragraph 1.1.1 are not met, specific engineering design is required.

#### COMMENT:

Specific engineering design will require a structure assessment to be completed. This may result in either an assessment that the roof structure is sufficient to support the additional load or details of how to strengthen the roof structure to support the additional load.

## 1.2 Exclusions

**1.2.1** If the solar *water heater* includes connection to an application such as underfloor heating, a swimming pool or any similar application, this Acceptable Solution applies only to the solar *water heater* and its components and not to the application.

## 2.0 Materials

---

### 2.1 Material selection

**2.1.1** All material used to install the solar *water heater* must:

- a) meet the *durability* requirements of NZBC Clause B2, and
- b) be suitable for their use, location and environment as shown in Table 1, and
- c) be compatible with adjoining materials as shown in Table 2, and
- d) be compatible with materials subject to run-off as shown in Table 3 (except as described in Paragraph 2.1.2).

**2.1.2** Table 3 states that “butyl/EPDM” to “steel, galvanized unpainted” is “not permitted”; however, water flow from small areas of *EPDM* will not significantly affect the *durability* of the roofing. Therefore it is acceptable to use unpainted *EPDM* boots with unpainted galvanised steel roofing if:

- a) the boots are small (for 60 mm pipe diameter or smaller), and
- b) there are no more than 10 boots used for the solar *water heater* installation, and
- c) the boots contain no greater than 15% carbon black.

**2.1.3** If the requirements described in Paragraph 2.1.2 are not met then either the *EPDM* boots or the galvanised roofing must be painted with a suitable protective coating.

**2.1.4** Table 2 shows that galvanized fixings must be used rather than stainless steel when in contact with galvanized *cladding* and zinc/aluminium coated *cladding*. (This includes mounting brackets and straps.)

**Table 1: Material selection (reproduced from E2/AS1 Table 20)**

This table must be read in conjunction with Tables 2 and 3 and Paragraphs 2.1.1, 2.1.2, 2.1.3 and 2.1.4

Material	Exposure	Durability	
		15 yrs	50 yrs
<b>Aluminium, copper, lead, zinc, stainless steel</b>	Hidden	✓	✓
	Exposed to weather	✓	✓
	Sheltered	✓	✓
<b>Aluminium-zinc coated steel AZ150 uncoated, or coated to NZS 4217</b>	Hidden	✓	✓ (2)
	Exposed to weather	✓ (1)	✓ (4)
	Sheltered	✓ (3)	✓ (6)
<b>Aluminium-zinc: AZ150 factory-coated to AS/NZS 2728</b>	Hidden	✓	✓
	Type 4 Exposed to weather	✓	✓ (4)
	Type 5	✓	✓ (3)
	Type 6	✓	✓ (1)
	Type 4 Sheltered	✓ (3)	✓ (6)
	Type 5	✓ (1)	✓ (5)
	Type 6	✓	✓ (3)
<b>Bituminous material, uPVC</b>	Hidden	✓	✓
	Exposed to weather	✓	✗
	Sheltered	✓	✓
<b>Butyl rubber</b>	Hidden	✓	✓
	Exposed to weather	✓	✗
	Sheltered	✓	✗
<b>Galvanized steel Z450 uncoated, or coated to NZS 4217</b>	Hidden	✓	✓ (4)
	Exposed to weather	✓ (3)	✓ (6)
	Sheltered	✓ (5)	✓ (6)
<b>Galvanized steel: Z275 factory-coated to AS/NZS 2728</b>	Hidden	✓	✓
	Type 4 Exposed to weather	✓ (1)	✓ (6)
	Type 5	✓	✓ (4)
	Type 6	✓	✓ (1)
	Type 4 Sheltered	✓ (3)	✓ (6)
	Type 5	✓ (1)	✓ (6)
	Type 6	✓	✓ (4)
<b>FIXINGS: Aluminium, bronze, monel and stainless steel (Types 304 and 316)</b>	*Hidden	✓	✓
	Exposed to weather	✓	✓
	Sheltered	✓	✓
<b>FIXINGS: Hot-dipped galvanized steel to AS/NZS 4680</b>	Hidden	✓	✓ (2)
	Exposed to weather	✓ (2)	✓ (6)
	Sheltered	✓ (4)	✗
<b>Screws to AS 3566: Part 2</b>	Class 3 Hidden	✓	✓ (2)
	Class 4	✓	✓
	Class 3 Exposed to weather	✓ (2)	✓ (6)
	Class 4	✓	✓ (4)
	Class 3 Sheltered	✓ (4)	✗
	Class 4	✓ (2)	✗

LEGEND: ✓ Suitable for *durability* requirement in all NZS 3604 exposure zones, including sea-spray zones  
 ✗ Not suitable for *durability* requirement  
 ✓ (no.) Conditionally suitable – refer relevant acceptable zone number  
 \* Includes fixings protected by putty and an exterior paint system of primer undercoat and two top coats of paint.

**Acceptable zones** (1) Zones 1, 2, 3 and 4 (3) Zones 2, 3 and 4 (5) Zones 3 and 4  
**as per NZS 3604:** (2) Zones 1, 2 and 3 (4) Zones 2 and 3 (6) Zone 3

**Note:** *Durability* may be improved by regular washing of sheltered materials.

The term “sheltered” is as defined in NZS 3604, Figure 4.2.

The term “hidden” is defined as concealed behind another element that would need to be removed to allow monitoring of performance or maintenance. A hidden *flashing* may be exposed to H<sub>2</sub>S in geothermal areas, but not to salt spray in coastal zones. If exposed to salt spray, it is classified as “sheltered”.

**Table 2: Compatibility of materials in contact**

This table must be read in conjunction with Tables 1 and 3 and Paragraphs 2.1.1, 2.1.2, 2.1.3 and 2.1.4

	Aluminium, anodised or mill-finish	Aluminium, coated <sup>(1)</sup>	Butyl rubber & EPDM	CCA-treated timber <sup>(2)</sup>	Cedar	Cement plaster (uncoated)	Ceramic tiles (cement grout)	Clay bricks (cement mortar)	Concrete old (unpainted)	Concrete green (unpainted)	Copper/brass	Glass	Glazed roof tiles	Lead (including lead-edged) unpainted	Plastics	Stainless steel	Steel, galvanised coil-coated	Steel, galvanized (unpainted)	Zinc	Zinc/aluminium coated <sup>(1)</sup>	Zinc/aluminium, (unpainted)
Aluminium, anodised or mill-finish	✓	✓	✓	✗	✓	✗	✗	✗	✓	✗	✗	✓	✓	✗	✓	B	✓	✓	✓	✓	✓
Aluminium, coated <sup>(1)</sup>	✓	✓	✓	B	✓	✗	✗	✗	✓	✗	✗	✓	✓	B	✓	B	✓	✓	✓	✓	✓
Butyl rubber & EPDM	✓	✓	✓	✓	✓	✓	✓	✓	✓	✓	✓	✓	✓	✓	✓	✓	✓	✓	✓	✓	✓
CCA-treated timber <sup>(2)</sup>	✗	B	✓	✓	✓	✓	✓	✓	✓	✓	✓	✓	✓	✓	✓	✓	B	✗	✗	B	✗
Cedar	✓	✓	✓	✓	✓	✓	✓	✓	✓	✓	✓	✓	✓	✓	✓	✓	✓	✗	✗	✓	✗
Cement plaster (uncoated)	✗	✗	✓	✓	✓	✓	✓	✓	✓	✓	✓	✓	✓	✗	✓	✓	✓	✓	✓	✓	✗
Ceramic tiles (cement grout)	✗	✗	✓	✓	✓	✓	✓	✓	✓	✓	✓	✓	✓	✓	✓	✓	✓	✓	✓	✓	✗
Clay bricks (cement mortar)	✗	✗	✓	✓	✓	✓	✓	✓	✓	✓	✓	✓	✓	✓	✓	✓	✓	✓	✓	✓	✗
Concrete old (unpainted)	✓	✓	✓	✓	✓	✓	✓	✓	✓	✓	✓	✓	✓	✓	✓	✓	✓	✓	✓	✓	✓
Concrete green (unpainted)	✗	✗	✓	✓	✓	✓	✓	✓	✓	✓	✓	✓	✓	✗	✓	✓	✗	✗	✗	✗	✗
Copper/brass	✗	✗	✓	✓	✓	✓	✓	✓	✓	✓	✓	✓	✓	B	✓	B	✗	✗	✗	✗	✗
Glass	✓	✓	✓	✓	✓	✓	✓	✓	✓	✓	✓	✓	✓	✓	✓	✓	✓	✓	✓	✓	✓
Glazed roof tiles	✓	✓	✓	✓	✓	✓	✓	✓	✓	✓	✓	✓	✓	✓	✓	✓	✓	✓	✓	✓	✓
Lead (including lead-edged) unpainted	✗	B	✓	✓	✓	✗	✓	✓	✓	✗	B	✓	✓	✓	✓	B	B	B	B	B	✗
Plastics	✓	✓	✓	✓	✓	✓	✓	✓	✓	✓	✓	✓	✓	✓	✓	✓	✓	✓	✓	✓	✓
Stainless steel	B	B	✓	✓	✓	✓	✓	✓	✓	✓	B	✓	✓	B	✓	✓	B	✗	✗	B	B
Steel, galvanised coil-coated	✓	✓	✓	B	✓	✓	✓	✓	✓	✗	✗	✓	✓	B	✓	B	✓	✓	✓	✓	✓
Steel, galvanized (unpainted)	✓	✓	✓	✗	✗	✓	✓	✓	✓	✗	✗	✓	✓	B	✓	✗	✓	✓	✓	✓	✓
Zinc	✓	✓	✓	✗	✗	✓	✓	✓	✓	✗	✗	✓	✓	B	✓	✗	✓	✓	✓	✓	✓
Zinc/aluminium, coated <sup>(1)</sup>	✓	✓	✓	B	✓	✓	✓	✓	✓	✗	✗	✓	✓	B	✓	B	✓	✓	✓	✓	✓
Zinc/aluminium (unpainted)	✓	✓	✓	✗	✗	✗	✗	✗	✓	✗	✗	✓	✓	✗	✓	B	✓	✓	✓	✓	✓

**LEGEND:**

✓ Materials satisfactory in contact.

✗ Contact between materials is not permitted. Minimum gap of 5 mm is required to prevent moisture bridging.

B Avoid contact in sea-spray zone or corrosion zone 1.

**NOTES:**

(1) Coated – includes factory-painted, coil-coated and powder-coated.

(2) Includes copper azole and copper quaternary salts.

**Table 3: Compatibility of materials subject to run-off**  
 This table must be read in conjunction with Tables 1 and 2 and Paragraphs 2.1.1, 2.1.2, 2.1.3 and 2.1.4

Material that water flows onto	Material that water flows from	Aluminium, anodised or mill-finish	Aluminium, coated <sup>(1)</sup>	Butyl rubber & EPDM	CCA-treated timber <sup>(2)</sup>	Cedar	Cement plaster (uncoated)	Ceramic tiles (cement grout)	Clay bricks (cement mortar)	Concrete old (unpainted)	Concrete green (unpainted)	Copper/brass	Glass	Glazed roof tiles	Lead (including lead-edged) unpainted	Plastics	Stainless steel	Steel, galvanised coil-coated	Steel, galvanized (unpainted)	Zinc	Zinc/aluminium coated <sup>(1)</sup>	Zinc/aluminium, (unpainted)
Aluminium, anodised or mill-finish		✓	✓	✓	✓	✓	✓	✓	✓	✓	✓	✓	✓	✓	✓	✓	✓	✓	✗	✗	✓	✓
Aluminium, coated <sup>(1)</sup>		✓	✓	✓	✓	✓	✓	✓	✓	✓	✓	✓	✓	✓	✓	✓	✓	✓	✗	✗	✓	✓
Butyl rubber & EPDM		✓	✓	✓	✓	✓	✓	✓	✓	✓	✓	✓	✓	✓	✓	✓	✓	✓	✗	✗	✓	✗
CCA-treated timber <sup>(2)</sup>		✗	✗	✓	✓	✓	✓	✓	✓	✓	✓	✓	✓	✓	✓	✓	✓	✗	✗	✗	✗	✗
Cedar		✓	✓	✓	✓	✓	✓	✓	✓	✓	✓	✓	✓	✓	✓	✓	✓	✓	✗	✗	✓	✗
Cement plaster (uncoated)		✗	✗	✓	✓	✓	✓	✓	✓	✓	✓	✓	A	✓	✗	✓	✓	✓	✗	✗	✓	✗
Ceramic tiles (cement grout)		✗	✗	✓	✓	✓	✓	✓	✓	✓	✓	✓	A	✓	✓	✓	✓	✓	✗	✗	✓	✗
Clay bricks (cement mortar)		✗	✗	✓	✓	✓	✓	✓	✓	✓	✓	✓	A	✓	✓	✓	✓	✓	✗	✗	✓	✗
Concrete old (unpainted)		✓	✓	✓	✓	✓	✓	✓	✓	✓	✓	✓	A	✓	✓	✓	✓	✓	✓	✓	✓	✓
Concrete green (unpainted)		✗	✗	✓	✓	✓	✓	✓	✓	✓	✓	✓	A	✓	✗	✓	✓	✗	✗	✗	✗	✗
Copper/brass		✗	✗	✓	✓	✓	✓	✓	✓	✓	✓	✓	✓	✓	✓	✓	✓	✗	✗	✗	✗	✗
Glass		✓	✓	✓	✓	✓	✓	✓	✓	✓	✓	✓	✓	✓	✓	✓	✓	✓	✗	✗	✓	✓
Glazed roof tiles		✓	✓	✓	✓	✓	✓	✓	✓	✓	✓	✓	✓	✓	✓	✓	✓	✓	✗	✗	✓	✓
Lead (including lead-edged) unpainted		✗	✗	✓	✓	✓	✓	✓	✓	✓	✓	✓	✓	✓	✓	✓	✓	✓	✓	✓	✓	✗
Plastics		✓	✓	✓	✓	✓	✓	✓	✓	✓	✓	✓	✓	✓	✓	✓	✓	✓	✗	✗	✓	✓
Stainless steel		✓	✓	✓	✓	✓	✓	✓	✓	✓	✓	✓	✓	✓	✓	✓	✓	✓	✗	✗	✓	✓
Steel, galvanised coil-coated		✓	✓	✓	✓	✓	✓	✓	✓	✓	✓	✓	✓	✓	✓	✓	✓	✓	✗	✗	✓	✓
Steel, galvanized (unpainted)		✓	✓	✓	✓	✓	✓	✓	✓	✓	✓	✓	✓	✓	✓	✓	✓	✓	✓	✓	✓	✓
Zinc		✓	✓	✓	✓	✓	✓	✓	✓	✓	✓	✓	✓	✓	✓	✓	✓	✓	✓	✓	✓	✓
Zinc/aluminium coated <sup>(1)</sup>		✓	✓	✓	✓	✓	✓	✓	✓	✓	✓	✓	✓	✓	✓	✓	✓	✓	✗	✗	✓	✓
Zinc/aluminium, (unpainted)		✓	✓	✓	✓	✓	✓	✓	✓	✓	✓	✓	✓	✓	✓	✓	✓	✓	✗	✗	✓	✓

**LEGEND:**  
 ✓ Materials satisfactory with water run-off as indicated.  
 ✗ Water run-off is not permitted as indicated.  
 A Etching or staining of glass may occur with run-off.

**NOTES:**  
 (1) Coated – includes factory-painted, coil-coated and powder-coated.  
 (2) Includes copper azole and copper quaternary salts.

### 3.0 Solar Water Heater Requirements

#### 3.1 Solar water heaters and components

**3.1.1** Solar *water heaters* must comply with one of the following:

- AS/NZS 2712: 2007, or
- AS/NZS 2712: 2002 (up to 1 July 2009), or
- NZS 4613 (up to 1 July 2008).

**3.1.2** Tanks installed as part of a pumped solar *water heater* where the tank is separately mounted from the collector must comply with the minimum tank insulation requirements of AS/NZS 4692.2.

#### COMMENT:

AS/NZS 4692.2: 2005 specifies Minimum Energy Performance Standard (MEPS) requirements for electric *water heaters*. Clause 1.4 of this Standard excludes solar *water heaters*. Paragraph 3.1.2 of this Acceptable Solution modifies this exclusion so that hot water tanks mounted separately from solar collectors used in a solar *water heater* must now comply with the MEPS requirements specified in AS/NZS 4692.2: 2005.

#### 3.2 Solar controller

**3.2.1** Where a solar *water heater* has a controller, the controller must meet the requirements specified in AS/NZS 2712: 2007 clause 6.3.

**3.2.2** The controller or the solar *water heater* design must minimise the use of supplementary heating while meeting the requirements described in Paragraph 3.5.

**3.2.3** A solar *water heater* which meets the requirements described in Paragraphs 3.2.1 and/or 3.2.2 satisfies NZBC Clause H1.3.4.

#### 3.3 Sizing of systems

**3.3.1** Solar *water heaters* must have a minimum of 50 litres of hot water storage per square metre of collector area.

#### COMMENT:

The sizing requirement described in Paragraph 3.3.1 is to prevent overheating of the system. The capacity of the tank should not be less than one day's expected use. For most houses the expected hot water consumption is 40–60 litres per person per day when stored at 60°C.

### 3.4 Operating and safety devices

**3.4.1** Storage tanks in solar *water heaters* must have operating and safety devices that meet the requirements of G12/AS1 Paragraph 6.

**3.4.2** Water from the installed system must not discharge onto the roof. *Vent pipes* and outlets from pressure relief valves must be plumbed to a suitable drain point.

### 3.5 Protection from Legionella bacteria

**3.5.1** To prevent the growth of Legionella bacteria, solar *water heaters* must either:

- a) have a continuously energised heating element fitted within 55% of the bottom of the *water tank* (by volume) and a thermostat set to 60°C or higher, or
- b) be controlled so that the water above the element is heated to 60°C once a day, and the element is in the bottom 20% of the *water tank* (by volume) and no more than 150 mm from the bottom of the tank, or
- c) be controlled so that all of the stored water is heated to 60°C or higher, once a week for not less than 1 hour. The temperature must be measured by a probe in the bottom 20% of the *water tank* (by volume) and no more than 150 mm from the bottom of the water tank. For open loop systems the stored water includes the water in the solar collector and water must be circulated through the collector during the heating period.

**3.5.2** Where the solar *water heater* stores potable water and is used as a pre-heater for an instantaneous *water heater*, either:

- a) the hot water storage tank connected to the solar collector must be fitted with supplementary heating and a controller operating to meet the conditions outlined in Paragraph 3.5.1, or
- b) the instantaneous *water heater* must heat all water passing through it to not less than 70°C.



**3.5.3** Where the solar *water heater* supplies inlet water to a *storage water heater* with an element in the bottom 20% of the water tank (by volume) and no more than 150 mm from the bottom of the tank with a thermostat set to no less than 60°C, no additional Legionella control is required.

**COMMENT:**

Paragraph 3.5 of this Acceptable Solution provides ways to demonstrate that the NZBC Clause G12.3.9 (i.e. "A hot water system must be capable of being controlled to prevent the growth of Legionella bacteria") is satisfied. This is a heat disinfection method which is considered the most effective method to control Legionella.

The heating required to control the growth of Legionella does not necessarily have to be achieved using supplementary electric heating; it could also be achieved using gas, solar or wood as a heating fuel.

**3.6 Protection from frosts**

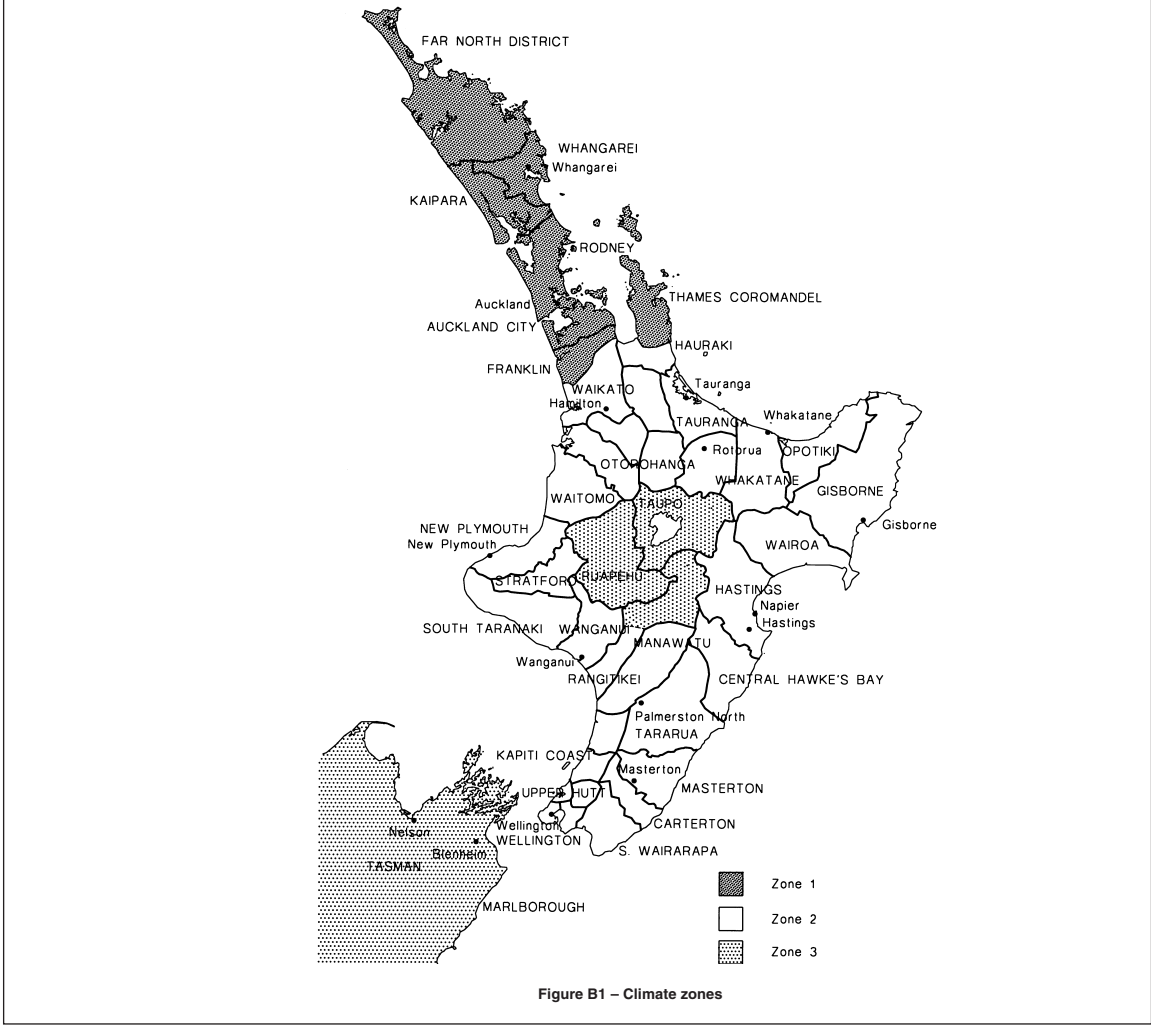
**3.6.1** For protection from freezing, collectors installed in climate zones 1 and 2 (as shown in Figure 1) must:

- a) pass the level 1 test described in AS/NZS 2712: 2007 Appendix E, or
- b) have an automatic drain-down system.

**3.6.2** For protection from freezing, collectors installed in climate zone 3 (as shown in Figure 1) must:

- a) pass the level 2 test described in AS/NZS 2712: 2007 Appendix E, or
- b) have an automatic drain-down system.

**Figure 1:** New Zealand climate zones for frost protection  
Paragraph 3.6



Zone 3 includes all of the South Island, Stewart Island and the Chatham Islands  
Figure B1 from NZS 4218: 2004 is reproduced with permission of Standards New Zealand under Licence 684.

**4.0 Location of Solar Water Heaters**

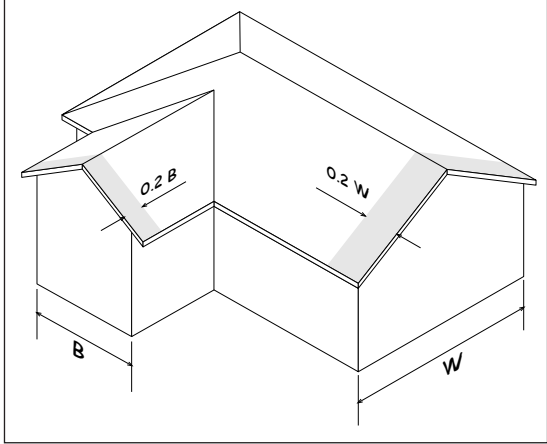
**4.1 Location**

**4.1.1** Solar water heaters must be located away from the edge of a gable roof structure outside the high pressure wind zone shown in Figure 2.

**4.2 Solar orientation and inclination**

**4.2.1** Solar collectors must face within +/- 90 degrees of geographic north (ie between east and west) to satisfy the requirements of NZBC Clause H1.3.4(a).

**Figure 2:** High pressure wind zone  
Paragraph 4.1



**4.2.2** Solar collectors must be inclined at an angle within +/- 20 degrees of the angle of latitude (from the horizontal) to satisfy the requirements of NZBC Clause H1.3.4(a).

**COMMENT:**

1. The ideal orientation of a solar collector is geographic north with an inclination angle from the horizontal the same as the angle of latitude for the location. Deviations from the ideal orientation will reduce the performance of the solar *water heater*.

Details of the impact of changes in orientation and inclination are provided in NZS 4614: 1986, and are shown in the following diagram.

**FACTORS FOR INCLINATION AND SOLAR ORIENTATION**

		Inclination angle (degrees)					
		0°	20°	40°	60°	80°	90°
West	270	0.85	0.85	0.8	0.72	0.6	0.53
	300	0.85	0.92	0.92	0.86	0.73	0.65
	330	0.85	0.98	0.99	0.93	0.8	0.71
North	0	0.85	0.97	1	0.94	0.8	0.7
	30	0.85	0.94	0.95	0.88	0.74	0.65
	60	0.85	0.88	0.86	0.77	0.65	0.57
East	90	0.85	0.8	0.73	0.64	0.52	0.46
Good orientation		Moderate orientation			Poor orientation		

The relative performance of flat-plate collectors in different orientations is illustrated. It is clear that collectors should face within about 45° of north, and be fitted at an inclination angle between 20° and 50°.

If for some reason it were necessary to place the collectors facing the west at 60° inclination, then to avoid loss in performance, the collectors would have to be 1/0.72 (or 1.4) as large (i.e. increased by 40% in the collector area).

Where collectors other than flat-plate type (cylindrical shape for instance) are used, similar optimum requirements for orientation will apply (i.e. the axis of the cylinder should be inclined at 20° to 50°). The performance loss by using poorer orientation has not been as fully explored as for the flat-plate case.

Figure 12 from NZS 4614: 1986 is reproduced with the permission of Standards New Zealand under Licence 684.

2. Shading of solar collectors should be minimised to ensure maximum performance of the system.

Significant shading between 9:00 am and 3:00 pm will affect the performance of a solar *water heater*.

The solar altitude may be determined using a commercial "sun locator" or a simple solar altitude sight may be constructed using the diagrams given in Appendix I of AS/NZS 3500.4: 2003.

**5.0 Installation of Solar Water Heaters**

**5.0.1** Solar *water heaters* must be installed in accordance with the requirements of AS/NZS 3500 Part 4: 2003, unless modified by this Acceptable Solution.

**5.0.2** Water storage tanks that form part of a solar *water heater* must have drain pipes that:

- a) have an easily reached isolating valve, and terminate with a cap or plug to empty the vessel for maintenance, or
- b) terminate outside the *building* with a cap only.

**5.0.3** Fixings used for the installation of a solar *water heater* must meet the requirements described in Paragraphs 2.1.1, 2.1.2, 2.1.3 and 2.1.4.

**5.0.4** All metal swarf from drilling or cutting must be removed from the roof surface to prevent corrosion. Care must also be taken to avoid scratching of any roof *cladding* protective coating.

**5.1 Wetback water heaters**

**5.1.1** Where water is heated by a wetback *water heater* and a solar collector, independent water pipe circuits must be installed for each heat source.

**5.1.2** A wetback *water heater* must have an open-vent connected to the:

- a) *water tank*, or
- b) wetback *water heater* flow pipe (see G12/AS1 Figure 5).

**COMMENT:**

In Paragraph 5.1.2 (b) a heat-exchanger is required when the tank pressure is higher than the open-vented wetback circuit.

**5.2 Weathertightness**

**5.2.1** Any penetrations made in the *building cladding* during the installation of a solar water heater must be flashed, or sealed using purpose-made sealing washers or boots to prevent leaks.

**5.2.2** Where roof penetrations are required for large openings such as solar collectors installed in or below the roof:

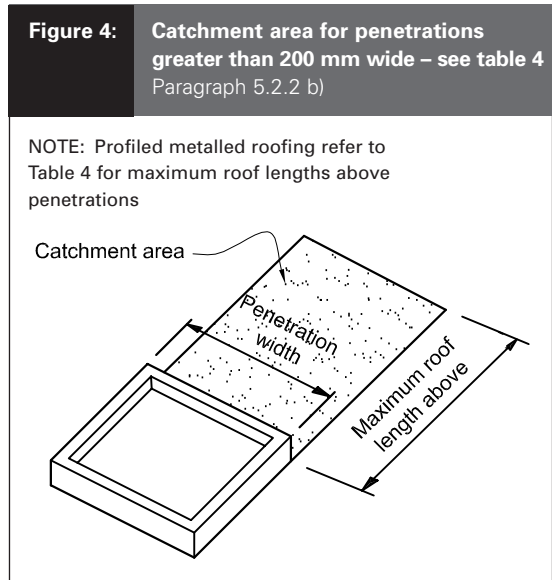
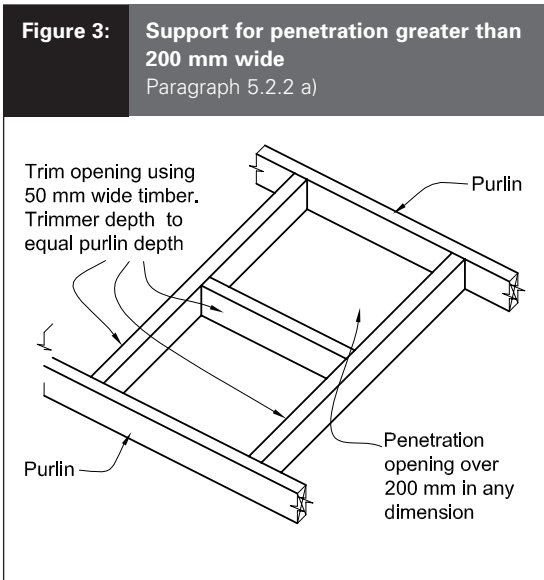
- a) the edge of roofing penetrations over 200 mm wide must be supported in either direction with additional *framing* as shown in Figure 3, and
- b) for the catchment area of the roof above the penetration as shown in Figure 4, the roof length must be limited to the areas shown in Table 4.

**5.2.3** Penetrations through masonry tile roofs must be as shown in Figure 5.

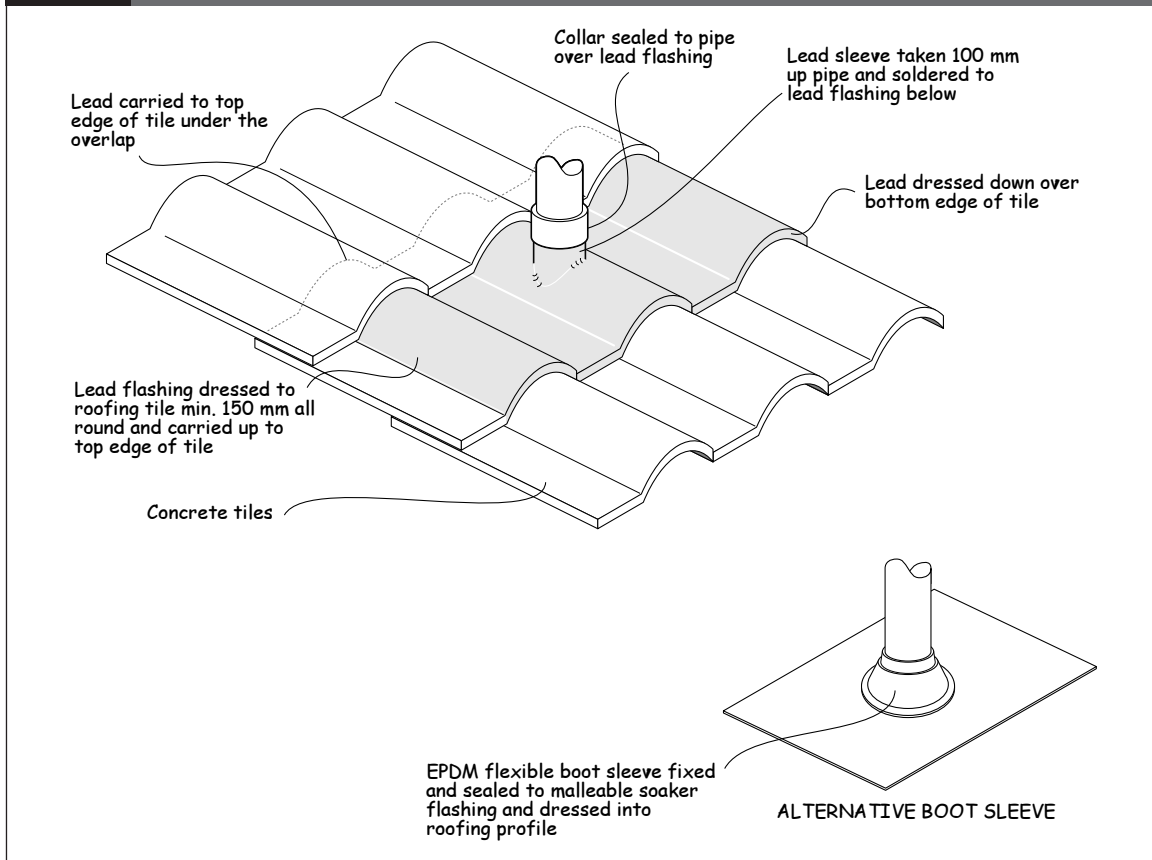
**5.2.4** Pipe penetrations in pressed metal tile roofs must be flashed using *EPDM* or silicone rubber boot *flashings* as shown in Figure 6.

**Table 4: Maximum catchment areas above penetrations greater than 200 mm wide**  
Paragraph 5.2.2 b)

Penetration width	Maximum roof length above penetration in metres			
	Profiled metal			
	Corrugated	Trapezoidal	Trough profile	Other roofs
800 to 1200 mm	4 m	8 m	16 m	4 m
600 to 800 mm	6 m	12 m	18 m	6 m
400 to 600 mm	8 m	16 m	18 m	8 m
200 to 400 mm	12 m	18 m	18 m	10 m



**Figure 5:** Pipe penetration for masonry tile roof  
Paragraph 5.2.3



**5.2.5** Roof penetrations in profiled metal roofs must be flashed as follows.

- a) Pipe penetrations up to 60 mm diameter must be flashed using an *EPDM* boot flashing as shown in Figure 6, and
- b) Rectangular penetrations up to 1200 mm wide must be flashed using a soaker type flashing as shown in Figure 7.

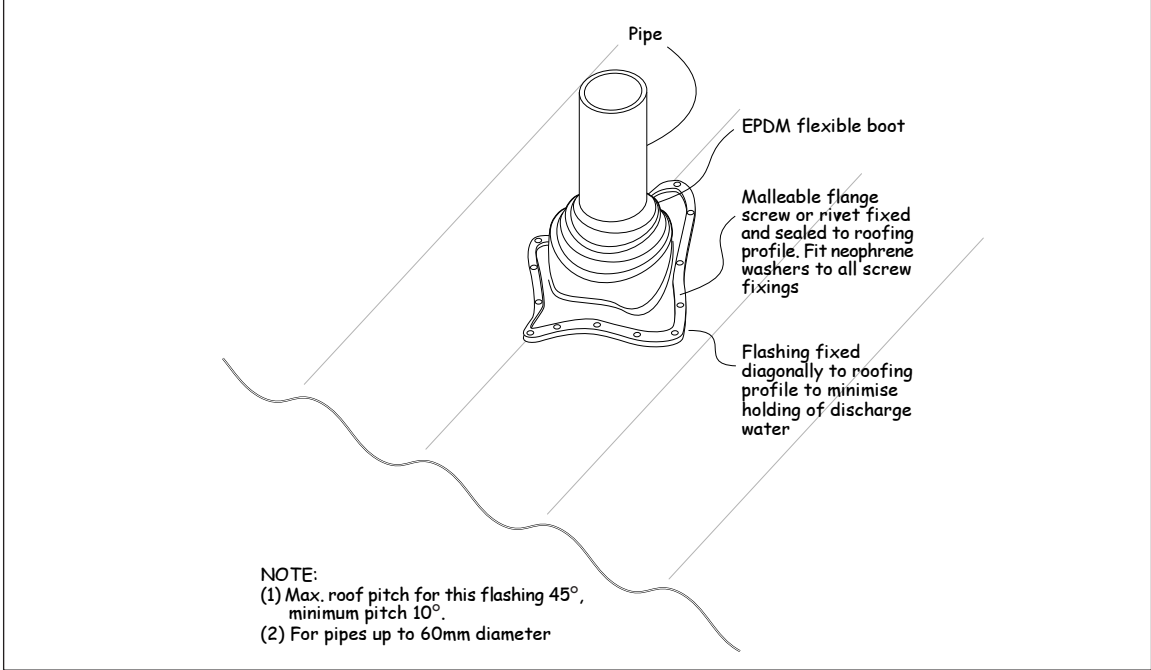
**5.2.6** Penetrations on roofs will require *specific design* when:

- a) the pitch is less than 15° for concrete tile or pressed metal roofs, or
- b) the pitch is less than 10° for profiled metal roofs, or
- c) the penetration is larger than 60 mm, or
- d) the penetration requires specialised or complex flashings.

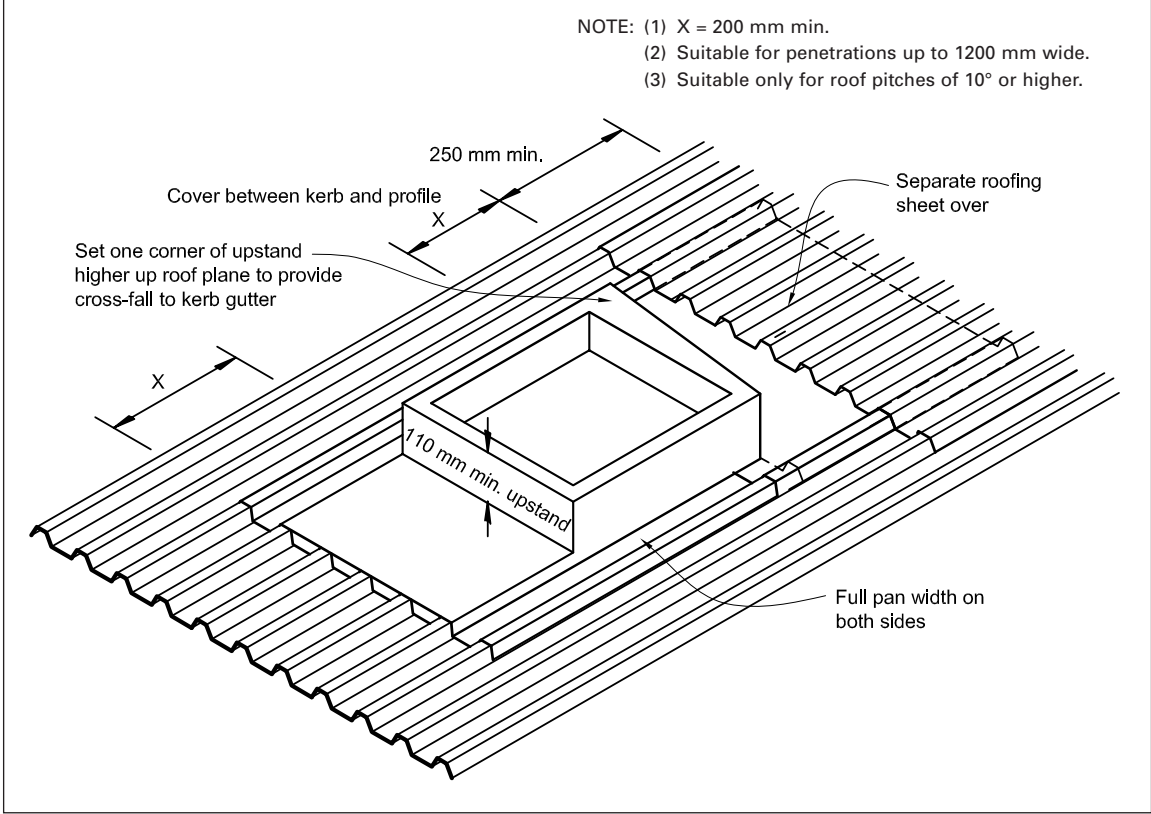
**COMMENT:**

The *cladding* manufacturer may be able to provide additional guidance.

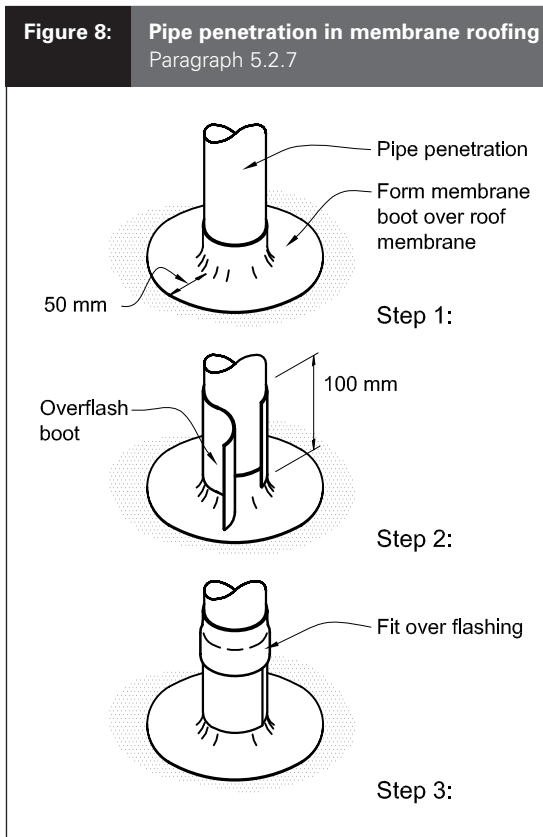
**Figure 6: Flashing for pipes, cables and other penetrations**  
 Paragraphs 5.2.4 and 5.2.5 a)



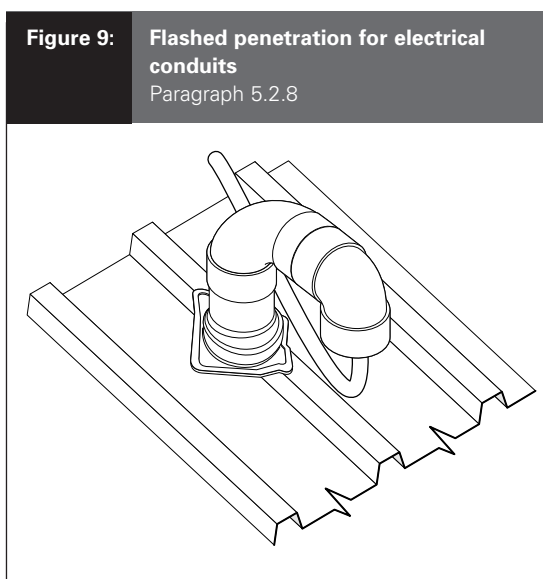
**Figure 7: Soaker flashings for penetrations (profiled metal roofs)**  
 Paragraph 5.2.5 b)



5.2.7 Penetrations through *membrane* roofs must be as shown in Figure 8.



5.2.8 One method of *flashing* penetrations through roofs for electrical conduits or fittings is shown in Figure 9.



The diameter of the conduit should be the minimum practicable diameter to suit the cable size and any electrical regulatory requirements.

**COMMENT:**

Alternatively, a nylon cable gland can be used on the flat part of a profiled metal roof which meets or exceeds IP55.

Other methods can also be used that meet the electrical regulatory requirements and are *weathertight*.

5.2.9 Sealant used in the installation of solar *water heaters* must be a neutral cure silicone sealant and must be used in conjunction with mechanical fasteners. The sealant must comply with:

- a) Type F, Class 20LM or 25LM of ISO 11600, or
- b) low modulus Type II Class A of Federal Specification TT-S-00230C.

5.2.10 Acetic cured silicone sealants may be used with stainless steel but must not be used on zinc or aluminium-zinc coatings.

5.2.11 Sealants used on roof penetrations must not be used as the primary method of excluding the ingress of moisture. Joints must be designed to allow the discharge of water in the absence of any sealant.

5.2.12 All fixings or penetrations through the roof must be through the crests of the roof *cladding*.

**5.3 Pipe installation**

5.3.1 Pipes and their supports must be electrochemically compatible or be electrolytically separated (refer to Table 2).

5.3.2 Pipes must be installed and supported to permit thermal movement, except where anchor points are necessary.

5.3.3 Water supply pipe work must be supported at centres of no greater than those given in G12/AS1, Table 7: Water Supply Pipework Support Spacing.

**5.4 Pipe insulation**

5.4.1 Hot water pipes must be insulated to satisfy the requirements of NZBC Clause H1.3.4, except where connected to a heat dissipation device.

**5.4.2** Where closed cell elastomeric pipe insulation is used outside the *building* envelope, it must be painted or have another form of protection to prevent rapid deterioration due to exposure to UV radiation. Pipe insulation must be protected and must have a *durability* of not less than 5 years.

**COMMENT**

One way to meet the hot water pipe insulation requirements referred to in Paragraph 5.4.1 is to comply with NZS 4305: 1996 Domestic type hot water systems.

**6.0 Structural Support for Solar Water Heaters**

**6.1 Scope**

**6.1.1** Paragraph 1.1.1 of this Acceptable Solution describes when these structural and fixing requirements can be used.

**6.2 General requirements**

**6.2.1** The installation of solar collectors on roofs must not produce restrictions to rainwater flow that could cause water to accumulate or pond.

**6.2.2** The installation of solar collectors must not dent, bend or distort the roof *cladding* or damage any protective coatings.

**6.2.3** All fixings that penetrate metal *cladding* must be provided with sealing washers or boots to prevent leakage in accordance with Paragraph 5.2.

**COMMENT:**

For additional guidance on selection and application of fastenings, refer to the roof *cladding* manufacturer.

**6.2.4** Solar collectors must be supported at no less than four points. The outermost support points must be within 200 mm of the outside edge of the solar collector.

**6.2.5** Roof framing must not be reduced in strength except for drilling for bolts or screws for attaching solar collectors.

**6.2.6** All screw and bolt fixings into roof *framing* timber must be installed with minimum distances from the centre of the fixing to the edge of the timber of:

- a) 20 mm for 8 gauge screws,
- b) 25 mm for 14 gauge screws,
- c) 40 mm for 10 mm bolts.

**6.2.7** The centre of all fixings must be no closer than 10 fixing diameters from the end of a piece of timber.

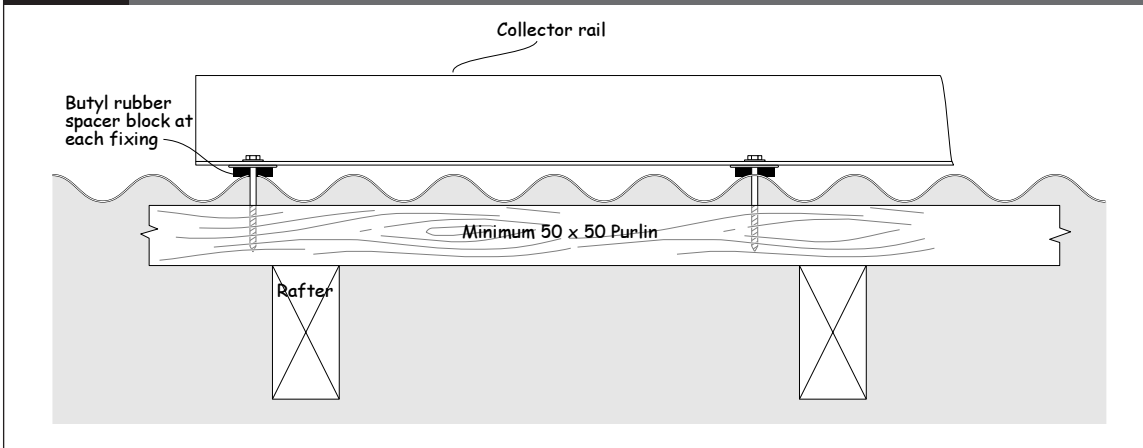
**COMMENT:**

End and edge distances for fixings are in accordance with NZS 3603: 1993.

**6.3 Direct fixed solar collectors parallel to the roof**

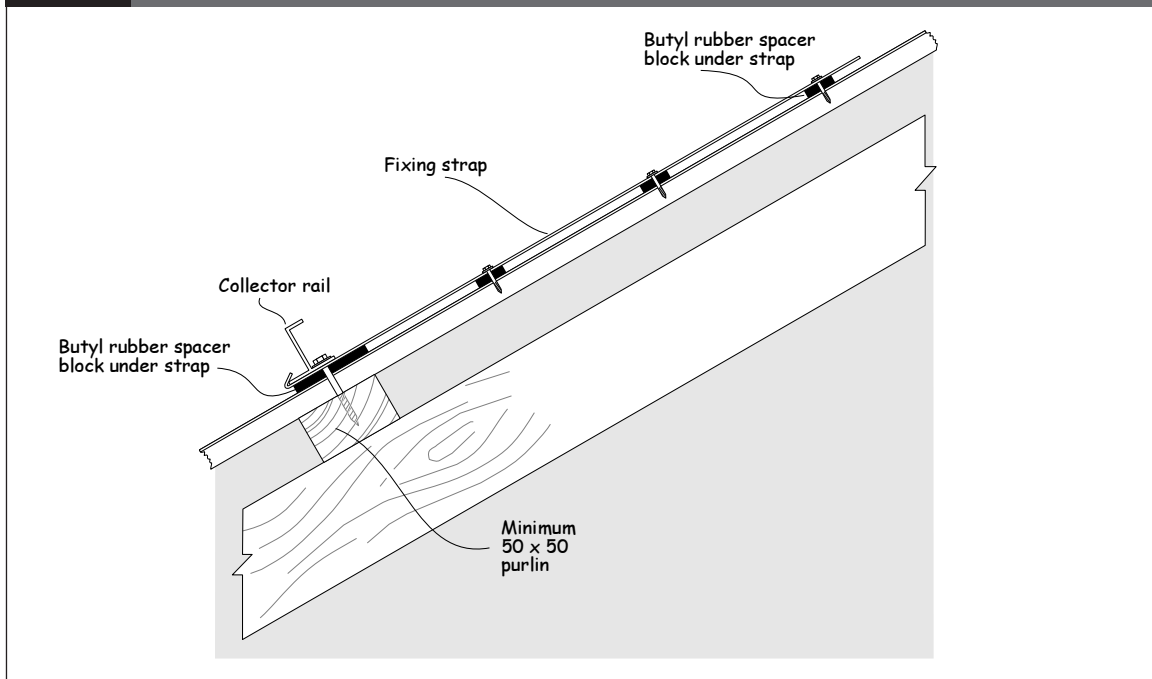
**6.3.1** Solar collectors can be fixed directly to the roof as shown in Figures 10 and 11 or Figures 12 and 13, where the requirements described in Paragraph 6.3 are met.

**Figure 10: Direct fixed strap with rail – section**  
Paragraph 6.3.1





**Figure 11:** Direct fixed strap with rail – elevation  
Paragraph 6.3.1



**6.3.2** Solar collectors mounted on the roof cladding must meet the materials requirements described in Paragraph 2.

**6.3.3** Solar collectors fixed directly to metal roof *cladding* must be:

- a) attached with 12 self-tapping 8 gauge (4 mm) metal screws fixed to metal roof *cladding* provided the weight of the solar collector is spread over a sufficient number of points of contact so that the average load on any one point is not more than 15 kg, and
- b) attached with 4 x 8 gauge (4 mm) screws into purlins 50 mm wide or larger within 200 mm of each of the four corners of the solar collector.

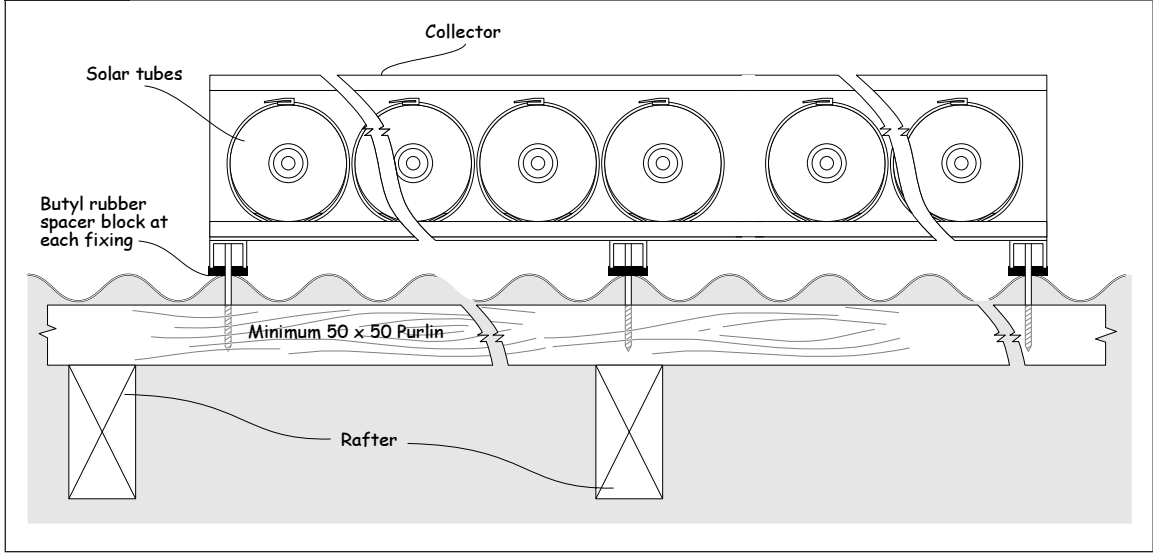
**6.3.4** Solar collectors can be installed on concrete or clay tiles with:

- a) stainless steel straps inserted through the joints between successive rows of tiles and screw fastened to *rafters*, truss top chords or *under-purlins* 75 x 45 mm or larger, and
- b) support within 100 mm of the centre of the underlying tile batten, and
- c) the load distributed across as many tiles as practicable.

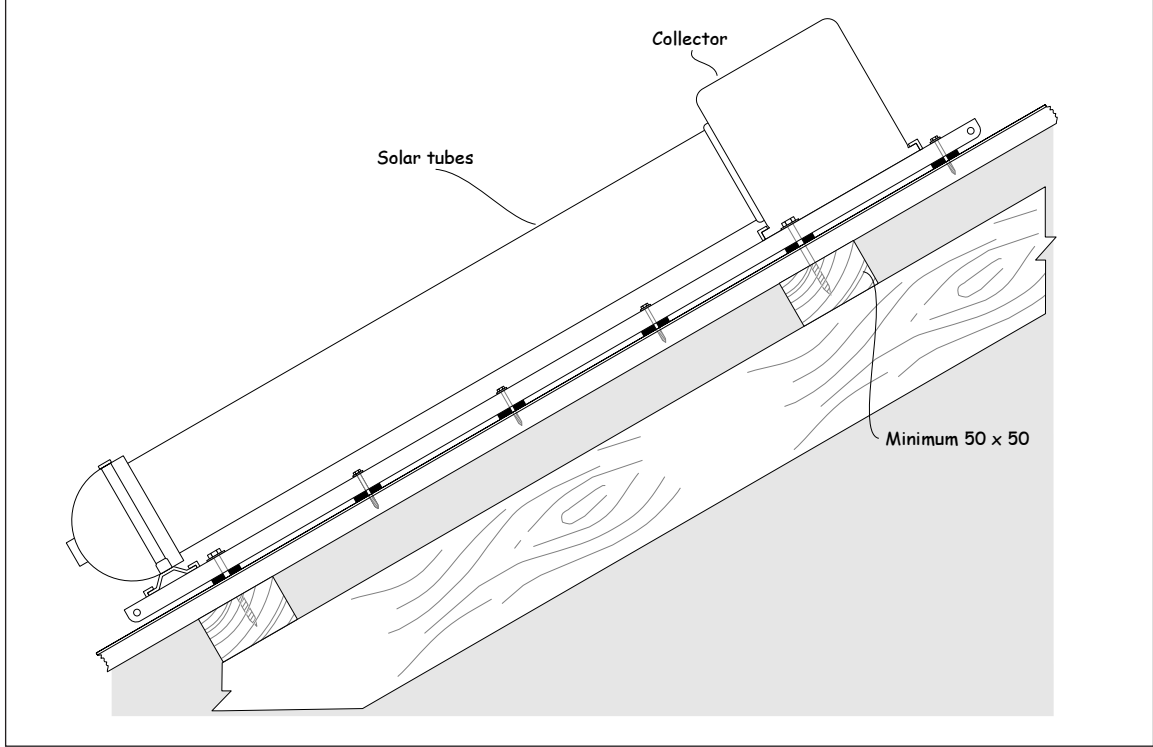
**COMMENT:**

1. *Cladding* materials which need regular washing may require solar collectors to be elevated above the roof *cladding*. Refer to your roof cladding manufacturer for specific advice. Elevated options are provided in Paragraphs 6.4 to 6.6.
2. The susceptibility for concrete and clay tiles to breakage means that special care must be taken when working on and attaching systems to these roofs.
3. Solar *water heater* manufacturers and installers have developed proprietary mounting systems which may have equivalent performance to this Acceptable Solution.

**Figure 12: Direct fixed channel – section**  
Paragraph 6.3.1



**Figure 13: Direct fixed channel – elevation**  
Paragraph 6.3.1



## 6.4 Elevated solar collector panels parallel to the roof

**6.4.1** Solar collectors mounted parallel to the roof that are elevated up to 50 mm above the roof *cladding* must be fixed:

- a) as shown in Figure 14, with 14 gauge screws into one of the following:
  - i) *purlins* 70 x 45 mm or larger on their flat, that span no more than 700 mm, or
  - ii) *purlins* 90 x 45 mm or larger on their flat, that span no more than 900 mm, or
  - iii) *rafters* 90 x 45 mm or larger, or
  - iv) truss top chords 90 x 45 mm or larger, or
- b) as shown in Figure 15, with 10 mm hot dip galvanised bolts to *purlins* 90 x 45 mm or larger that span no more than 900 mm, or

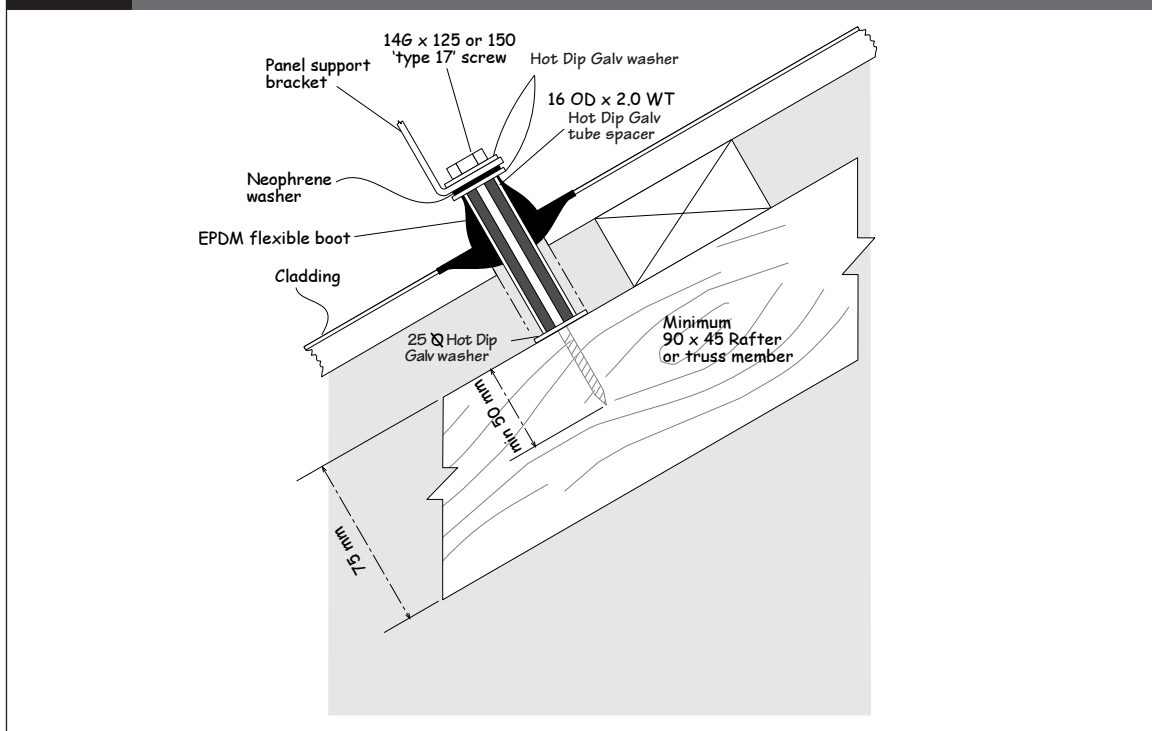
c) as shown in Figure 16, with 12 mm bolts welded to 3 mm plate, hot dip galvanised after welding and screw fixed to either:

- i) *rafters*, or
- ii) truss top chords.

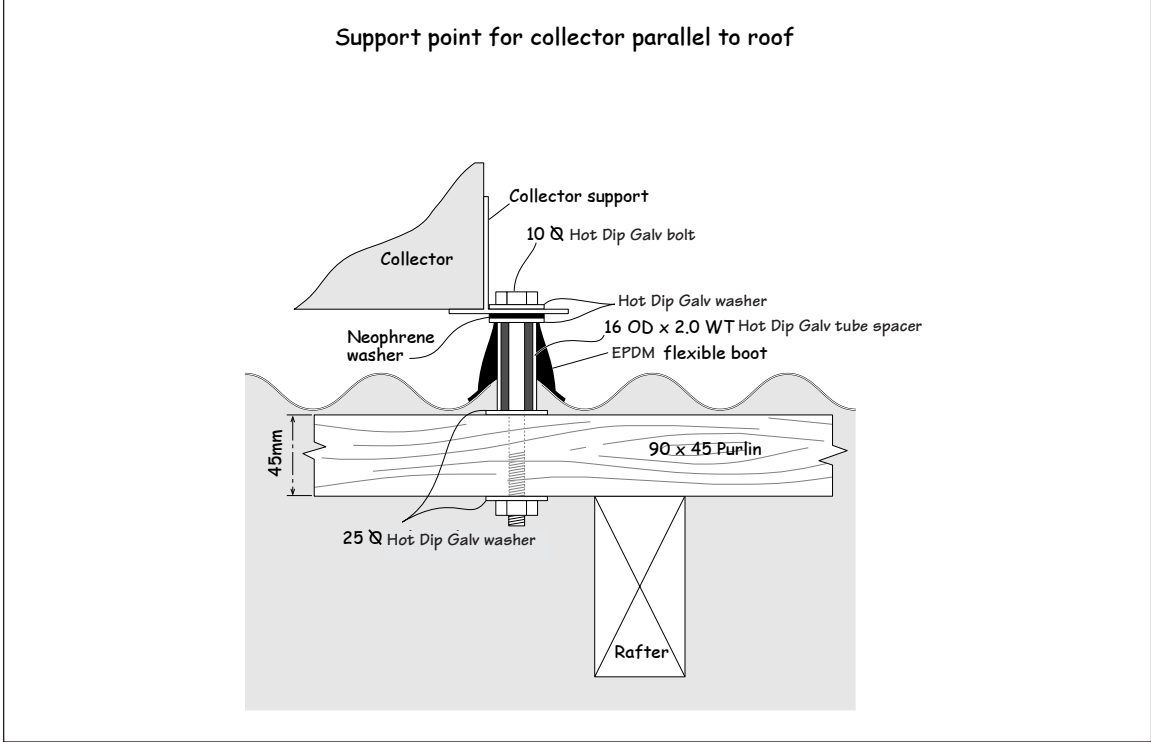
**6.4.2** Solar collectors mounted parallel to the roof that are elevated up to 50 mm above the roof *cladding* must be supported by:

- a) underlying *purlins* conforming to Paragraph 6.4.1 (a) or (b), or
- b) underlying *rafters* or trusses with connections conforming with Paragraphs 6.4.1 (a) or (c), or
- c) collector support rails conforming to Paragraph 6.5.

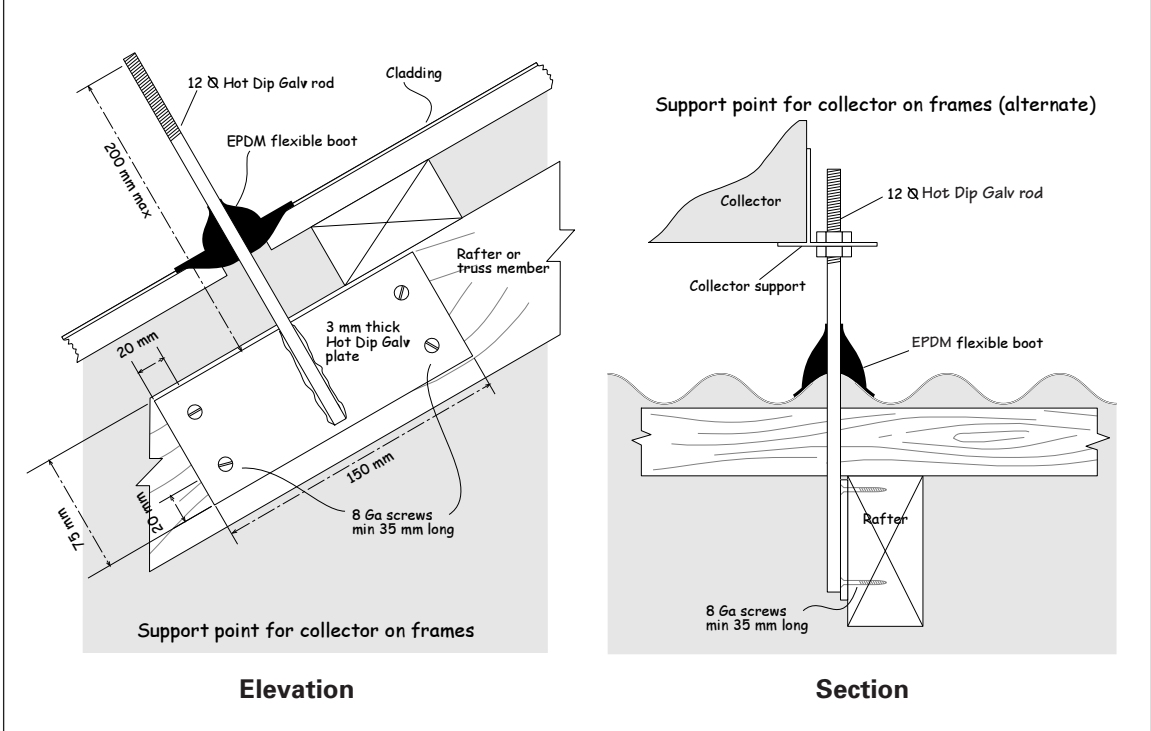
**Figure 14:** Screw fixing  
Paragraph 6.4.1 b)



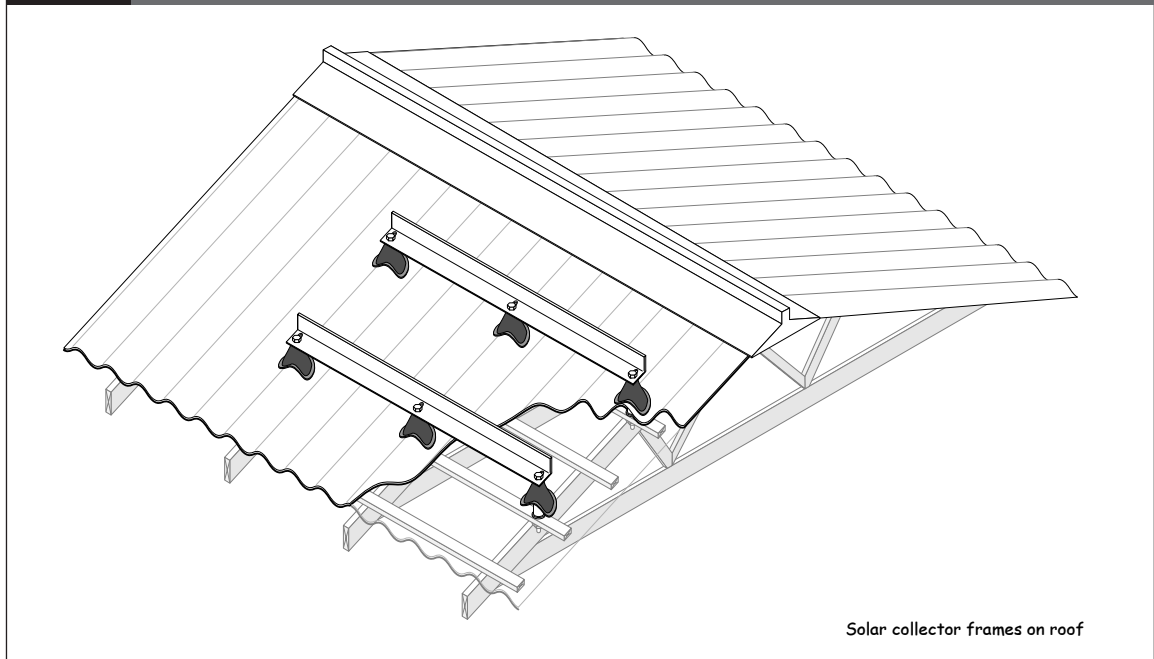
**Figure 15:** Bolt fixing  
Paragraph 6.4.1 a)



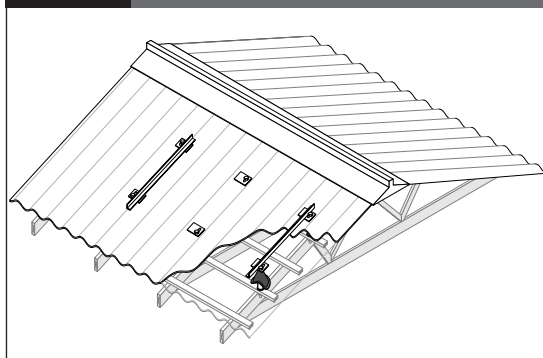
**Figure 16:** Stud fixing  
Paragraph 6.4.1 c)



**Figure 17:** Collector support rails across roof slope  
Paragraph 6.5.1 a)



**Figure 18:** Collector frame up slope of roof  
Paragraph 6.5.1 b)



## 6.5 Collector support rails

**6.5.1** Collector support rails may either:

- a) run horizontally across the slope of the roof as provided for in Paragraph 6.5.2 and Figure 17, or
- b) run up the slope of the roof as provided for in Paragraph 6.5.3 and Figure 18.

**6.5.2** Collector support rails running horizontally across the roof slope, as shown in Figure 17, must be in one piece and span

each space between *rafters* or trusses that have a solar collector above them. Rails may cantilever up to 200 mm beyond a rafter or truss. The collector support rails are to be fixed to either:

- a) each *rafter* or truss that they cross using the details given in Figures 14 and 16, or
- b) *purlins*, provided the *purlins* are a minimum size of 90 x 45 mm on their flat and span a maximum of 900 mm using the details given in Figures 14 and 15.

**6.5.3** Collectors laid on support rails running up the slope of the roof must be in one piece and be supported as shown in Figure 18 by either:

- a) each *purlin* that is crossed of a minimum size of 90 x 45 mm on their flat which spans a maximum of 950 mm using the connection details given by Figure 14, or
- b) *rafters* or truss top chords at not more than 1500 mm centres and within 300 mm of each end of the collector support rails using the connection details given by Figure 14 or 16.

## 6.6 Mounting collectors at a different pitch to the roof cladding

**6.6.1** Solar collectors mounted at a different pitch to the pitch of the roof must be installed with no less than 8 fixing points and must meet all the requirements described in Paragraph 6.6 and Figure 19.

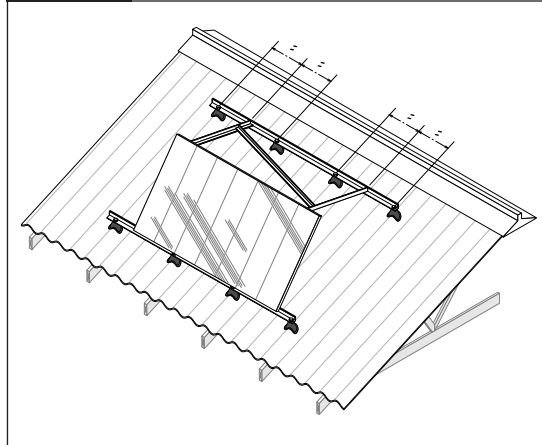
**6.6.2** Solar collectors must be mounted on support rails running horizontally across the roof slope that comply with Paragraph 6.5.2 except for the following differences:

- a) they must be supported by four *rafters* or truss top chords, and
- b) they must be hot dip galvanised mild steel or stainless steel angles with a minimum section modulus about axes parallel to the sides of the angle of  $3.3 \text{ cm}^3 \times 10 \text{ mm}^3$ , and
- c) they must be connected to the *rafters* or truss top chords with fixings as shown in Figure 20, and
- d) the connections between the struts and the collector support rails must be mid-way between the outer pair of collector support rail fixings.

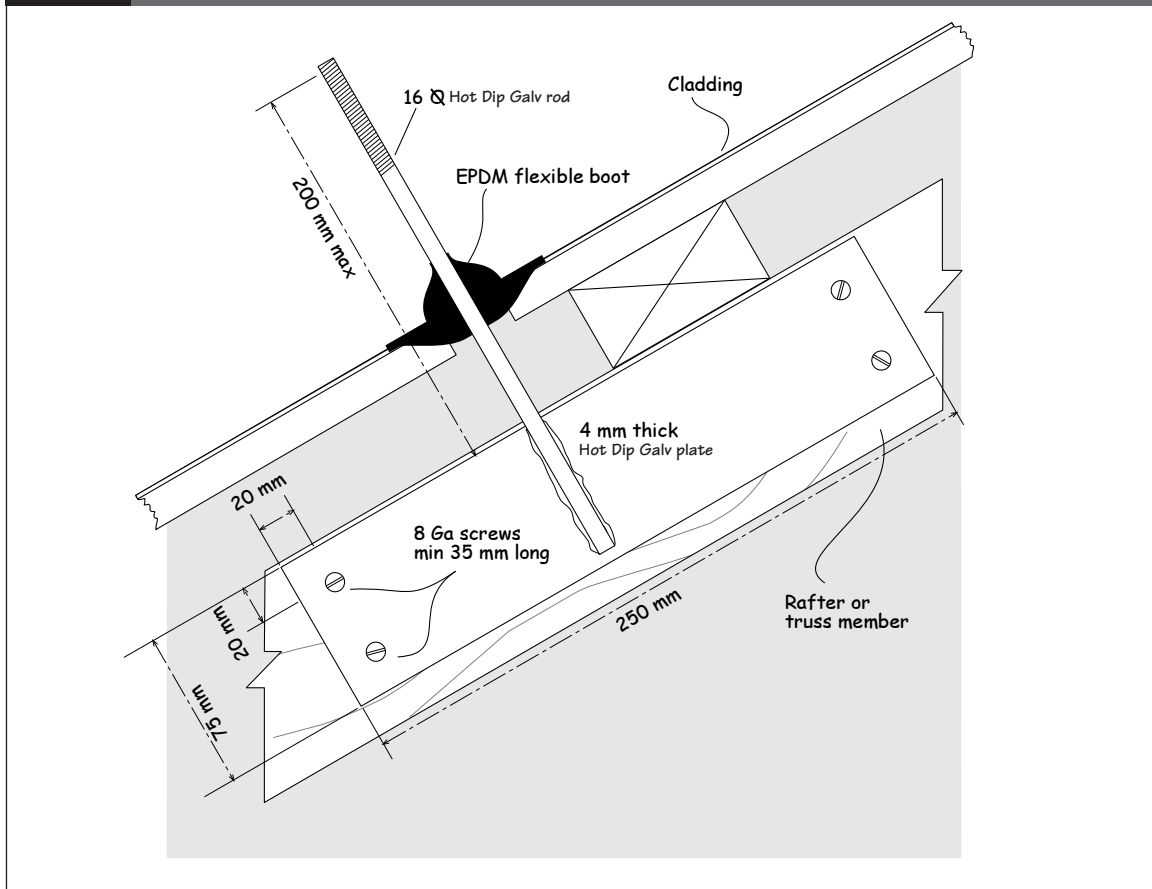
### COMMENT:

1. A steel angle section  $50 \times 50 \times 6 \text{ mm}$  meets the minimum strength requirements of Paragraph 6.6.2.
2. Other materials can be used for the support rails which meet the materials requirements described in Paragraph 2.0 and have equivalent strength to the rails described in Paragraph 6.6.2 b).

**Figure 19:** Collector at different pitch to roof  
Paragraph 6.6.1



**Figure 20:** Stud fixing for panels at different pitch  
Paragraph 6.6.2 c)



**6.6.3** The edge of the panel elevated above the roof plane is to be supported by hot dip galvanized steel or stainless steel angle struts which are:

- 25 x 25 x 3 mm angle for struts up to 1.0 m long
- 30 x 30 x 3 mm angle for struts up to 1.4 m long, or
- 40 x 40 x 3 mm angle for struts up to 2.4 m long.

Cuts or holes made in steel after galvanizing are to be protected from corrosion.

**6.6.4** A diagonal is to run from within 50 mm of the top of one strut to within 50 mm of the bottom of the other strut. It must be the same size as the struts.

**6.6.5** Connections between the struts, the diagonal and support rails are to be:

- for hot dip galvanized steel, one M8 hot dip galvanized Class 4.8 bolt with nut and washers at each intersection, or
- for stainless steel, one M8 stainless steel bolt with nut and washers at each intersection, or
- fully welded – any mild steel that is welded must be hot dip galvanized after welding.

**6.6.6** Connections between the upper ends of the struts and the collector must be of equivalent strength to the those of Paragraph 6.6.5

**6.6.7** Alternatively, proprietary elevated frames can be used which:

- a) meet the requirements described in Paragraphs 6.6.1 and 6.6.2
- b) are subject to specific engineering design
- c) result in the load on each collector support rail being evenly distributed over each of the four fixing points.

## 7.0 Maintenance and Durability

### 7.1 Maintenance

**7.1.1** A permanent label must be fixed to a prominent part of the system which includes all markings required in the appropriate Standard identified in Paragraph 3.1.1.

#### COMMENT

1. Solar *water heaters* should be installed so that they can be easily maintained and owners should be provided with adequate instructions on the maintenance requirements.
2. Maintenance should be carried out to achieve the required:
  - a) system performance, and
  - b) *durability* of the solar *water heater* and any affected *building* components and junctions.
3. The maintenance required is dependent on the:
  - a) type of solar *water heater*,
  - b) materials and components used in the system manufacture and installation,
  - c) manufacturer's recommendations,
  - d) position of the solar *water heater* on the *building*,
  - e) geographical location and specific site conditions.

#### COMMENT:

Washing by rain removes most accumulated atmospheric contaminants from roof *cladding*, but sheltered areas below solar collectors may be protected from the direct effects of rain and therefore may require regular manual washing. High pressure water must not be directed at sensitive junctions such as penetrations and other *flashings*. Care must be taken to avoid water being driven past anti-capillary gaps and *flashings*.

## 7.2 Durability

**7.2.1** Solar *water heaters* and their components must meet the *durability* requirements specified in NZBC Clause B2.

**7.2.2** A solar *water heater* is easy to access and moderately difficult to replace and therefore the *durability* requirement is 15 years.

**7.2.3** Some components of the system will require maintenance and/or replacement. Components requiring maintenance or replacement before 15 years must be clearly identified in the owner's manual.

#### COMMENT:

NZS 4613:1986 states that:

"All materials used in the construction of solar equipment must have an expected in-service life of at least 15 years unless specifically excluded by the manufacturer" (Clause 103.2), and

"Collectors must have an expected service life of at least 15 years with no loss of fitness for purpose or rapid degradation during this period" (Clause 104.1).

NZS 4613: 1986 has been incorporated by reference in the G12 Compliance Document since October 2001.



# Index G12/VM1 & AS1/AS2

All references to Verification Methods and Acceptable Solutions are preceded by **VM** or **AS** respectively.

<b>Backflow protection</b> .....	<b>AS1</b> 3.4
air gaps .....	<b>AS1</b> 3.5
backflow prevention devices .....	<b>AS1</b> 3.6
atmospheric vacuum breakers .....	<b>AS1</b> 3.6.2, 3.6.4, 3.7.1, Table 2
double check valves .....	<b>AS1</b> 3.6.2, 3.7.2, Table 2
pressure vacuum breakers .....	<b>AS1</b> 3.6.1, 3.6.4, 3.7.1, Table 2
reduced pressure zone devices .....	<b>AS1</b> 3.6.2, 3.6.4, 3.7.2, Table 2
installation .....	<b>AS1</b> 3.6.3, 3.6.4, 3.7.1
testing .....	<b>AS1</b> 3.7
<b>Cold water expansion valves</b>	
(expansion control valves) .....	<b>AS1</b> 6.3.3, 6.6.2, 6.6.3, Figures 8 to 10, Table 6
installation .....	<b>AS1</b> 6.6.5
relief valve drains .....	<b>AS1</b> 6.7, Figures 8 to 10, and 13
<b>Cross connections</b> .....	<b>AS1</b> 3.1,
hazard .....	<b>AS1</b> 3.3
<b>Energy cut-offs</b> .....	<b>AS1</b> 6.4.1 c), 6.5.2
<b>Equipotential bonding</b> .....	<b>AS1</b> 9.0
earth bonding conductors .....	<b>AS1</b> 9.3
installation of conductors .....	<b>AS1</b> 9.2
metallic sanitary fixtures .....	<b>AS1</b> 9.2.2, Figure 20
metallic water supply pipes .....	<b>AS1</b> 7.2.1, Figure 19
<b>Filters</b> .....	see Strainers
<b>Hot water supply</b> .....	<b>AS1</b> 6.0
pipe sizes .....	<b>AS1</b> 6.12, Table 4
<b>Identification of non-potable water supply</b> .....	<b>AS1</b> 4.2.1
<b>Isolating valves</b> .....	<b>AS1</b> 3.7.1, 5.4.2
<b>Legionella bacteria</b> .....	<b>AS1</b> 6.14.3
<b>Mixing devices</b>	
tempering valves .....	<b>AS1</b> 6.14.2, Figure 16
<b>Non-potable water supply</b> .....	<b>AS1</b> 4.1
outlet identification .....	<b>AS1</b> 4.2.1, Figure 3
<b>Non-return valves</b> .....	<b>AS1</b> Figures 7 to 10, Table 6
<b>Operating device</b> .....	6.3
<b>People with disabilities</b> .....	<b>AS1</b> 8.0
usable water taps .....	<b>AS1</b> Figure 18

- Potable water supply** ..... **AS1** 3.0, 4.0
- Pressure limiting valves** ..... **AS1** 5.3.3, 6.2.1, Figure 8, Table 6
- Pressure reducing valves** ... **AS1** 5.3.2, 6.2.1, Figures 7 and 9, Table 6
- Pressure relief valves** ..... **AS1** 6.4.1 b), 6.6, Table 6  
 installation ..... **AS1** 6.6.5  
 relief valve drains ..... **AS1** 6.7, Figures 12 and 13
- Relief valve drains** ..... see Cold water expansion valves,  
 Temperature relief valves and  
 Temperature/pressure relief valves
- Safe trays** ..... **AS1** 5.2.3, 6.11.3
- Safe water temperatures** ..... **AS1** 6.14
- Safety device** ..... 6.4
- Sanitary appliances** ..... **AS1** 8.0.1, Table 1
- Sanitary fixtures** ..... **AS1** 6.12.1, 6.14.2, Figure 20, Tables 1 and 3  
 safe water temperatures ..... **AS1** 6.14.1, 6.14.2
- Solar water heaters**
- Installation ..... **AS2** 5.0
    - Pipe installation ..... **AS2** 5.3
    - Pipe insulation ..... **AS2** 5.4
    - Weathertightness ..... **AS2** 5.2, Table 4, Figures 2–9
    - Wetback water heaters ..... **AS2** 5.1
  - Location ..... **AS2** 4.0, 4.1
    - Solar orientation and inclination ..... **AS2** 4.2, Figure 2
  - Maintenance and durability ..... **AS2** 7.0
    - Durability ..... **AS2** 7.2
    - Maintenance ..... **AS2** 7.1
  - Materials ..... **AS2** 2.0
    - Material selection ..... **AS2** 2.1, Tables 1, 2 and 3
  - Requirements ..... **AS2** 3.0
    - Operating and safety devices ..... **AS2** 3.4
    - Protection from frosts ..... **AS2** 3.6, Figure 1
    - Protection from Legionella bacteria ..... **AS2** 3.5
    - Sizing of systems ..... **AS2** 3.3
    - Solar controller ..... **AS2** 3.2
    - Solar water heaters and components ..... **AS2** 3.1.1
  - Scope ..... **AS2** 1.0
    - Exclusions ..... **AS2** 1.2
    - Structural support limitations ..... **AS2** 1.1

- Structural support ..... **AS2** 6.0
  - Collector support rails ..... **AS2** 6.5, Figures 17 and 18
  - Elevated solar collectors parallel to the roof ..... **AS2** 6.4
    - Figures 14–16
  - General requirements ..... **AS2** 6.2, Figures 10–13
  - Mounting collectors at different pitch to roof cladding . **AS2** 6.6,
    - Figures 19 and 20
  - Scope ..... **AS2** 6.1
- Storage water heaters** ..... **AS1** 6.2, 6.3.1, 6.6.3, 6.6.5,
  - 6.7.2, 6.8 to 6.11, Table 5
  - drain pipes ..... **AS1** 4.10.3
  - open vented ..... **AS1** 6.3.2, Figures 6 and 7
    - free outlet type ..... **AS1** 6.1.2, 6.4.2
    - mains pressure supply ..... **AS1** 6.2.1, Figure 8, Table 5
    - tank supply ..... **AS1** 6.1.1, Figure 6, Table 5
  - seismic restraint ..... **AS1** 6.11.5, Figure 4
  - unvented ..... see Storage water heaters, valve vented
  - valve vented ..... **AS1** 6.3 to 6.7, Figure 8
- Strainers** ..... **AS1** 6.2.1
- Temperature/pressure relief valves** ..... **AS1** 6.4.1, Figure 8, Table 6
  - installation ..... **AS1** 6.6.5
  - relief valve drains ..... **AS1** 6.7, Figures 12 and 13
- Thermostats** ..... **AS1** 6.3.5, 6.5.1
- Vacuum relief valves** ..... **AS1** Table 6
- Vent pipes** ..... **AS1** 6.3.2, 6.8
  - diameter ..... **AS1** 6.8.2 b)
  - height ..... **AS1** 6.8.2 d)
  - installation ..... **AS1** 6.9.1
  - insulation ..... **AS1** 6.8.3
  - termination ..... **AS1** 6.8.2 c)
- Verification Method** ..... **VM1** 1.0
- Water heaters** ..... **AS1** 6.1, Table 5
  - installation ..... **AS1** 6.11
  - instantaneous water heaters ..... **AS1** 6.1.1, Table 5
  - storage water heaters ..... see Storage water heaters
  - wet-back water heaters ..... **AS1** 6.13, Figure 15
- Water main** ..... **AS1** 3.1.1, 3.2.1 b), 5.1.1

<b>Water supply systems</b> .....	<b>VM1 1.0, AS1 5.0</b>
installation .....	<b>AS1 5.2</b>
anchor points .....	<b>AS1 7.1.2</b>
electrochemical compatibility .....	<b>AS1 7.1.1</b>
in concrete or masonry .....	<b>AS1 7.3.3</b>
pipe supports .....	<b>AS1 7.1</b>
spacing .....	<b>AS1 7.1.3, Table 7</b>
pipes below ground .....	<b>AS1 7.3.2</b>
protection from damage .....	<b>AS1 7.3</b>
protection from freezing .....	<b>AS1 7.2</b>
protection from frosts .....	<b>AS1 3.6.3</b>
maintenance facilities .....	<b>AS1 5.2</b>
materials .....	<b>AS1 2.0, Table 1</b>
pressure limitations .....	<b>AS1 2.2.2 a)</b>
temperature limitations .....	<b>AS1 2.2.2 a)</b>
pipe size .....	<b>AS1 5.3, Table 4</b>
flow rates .....	<b>AS1 5.3.1, Table 3</b>
watertightness .....	<b>AS1 7.5</b>
<b>Water tanks</b> .....	<b>AS1 5.2, 6.2.1</b>
access .....	<b>AS1 5.2.5, Figure 4</b>
covers .....	<b>AS1 5.2.4</b>
location .....	<b>AS1 5.2.1</b>
overflow pipes .....	<b>AS1 5.2.2, Figure 4</b>
safe trays .....	<b>AS1 5.2.3, Figure 4</b>
seismic restraint .....	<b>AS1 5.2.7, Figure 4</b>
structural support .....	<b>AS1 5.2.7, Figure 4</b>
water storage tanks .....	<b>AS1 5.1</b>